



**Parts Manual  
Max Ride 26 Floor Scrubber  
Disc Brush Drive**

## PREFACE

Thank you for your purchase of the new industry standard for scrubbers. Minuteman International takes great pride in offering the most dependable, reliable and best value in industrial power sweepers and sweeper / scrubbers. We set the standard.

Our Customer Service Department would like to hear from you. If you see any errors, omissions or something that needs clarification in this Parts Catalog please let us know. We are working hard towards continually improving our processes to bring you the best you deserve. Please copy the form below, fill out and comment on how you found our catalog.

Thank you!

*The Minuteman International Team*

Name: \_\_\_\_\_

Title: \_\_\_\_\_

Company Name: \_\_\_\_\_

Address: \_\_\_\_\_

Country: \_\_\_\_\_

Type of equipment or model number: \_\_\_\_\_

Comments: \_\_\_\_\_

\_\_\_\_\_

\_\_\_\_\_

\_\_\_\_\_

Please return to:

Customer Service Manager  
Minuteman International, Inc.  
14N845 U.S. Route 20  
Pingree Grove, Illinois 60140 USA

Phone: (800) 323-9420

Email: [tech@minutemanintl.com](mailto:tech@minutemanintl.com)

## Technical Specifications

**Model**                    **Max Ride 26**  
**Models:**                MR26DQP, MR26DQPG, MR26DQPINT, MR26DQPT,  
                                 MR26DSQP, MR26DSQPG, MR26DSQPINT, MR26DSQPT

<b>Model</b>	<b>MAX Ride 26</b>
<b>Scrub Head Type</b>	Disc
<b>Scrub Path</b>	26 in/two 13" brushes (66 cm)
<b>Solution Capacity</b>	21 gal (79L)
<b>Recovery Capacity</b>	23.5 gal (89L)
<b>Max Speed</b>	3.1 mph (5 kh)
<b>Max Productivity</b>	32,490 sq. ft/hr (3018 sq. m/hr)
<b>Actual Productivity</b>	24,562 sq. ft/hr (2282 sq. m/hr)
<b>Brush Pressure</b>	Floating- Locked- 74 lbs/102 Nm
<b>Brush Speed</b>	175-400 RPM
<b>Brush Motor</b>	400/600 watts
<b>Vacuum Motor</b>	550 watts
<b>Vacuum Airflow</b>	69 cfm (32.4L /sec)
<b>Vacuum Waterlift</b>	68" H2O (172 cm H2O)
<b>Sound Pressure</b>	68 dba
<b>Water Flow</b>	.45 gpm (1.7L / min)
<b>Min. Turn-Around Aisle Width</b>	55" (140 cm)
<b>Maximum Ramp Climbing</b>	2%
<b>Squeegee Width</b>	31" (78 cm)
<b>Machine Voltage</b>	24 VDC
<b>Power Source</b>	Battery (2) 12V 210 AH
<b>Battery Charger</b>	On Board
<b>Maximum Run Time</b>	3-3.5 hrs.
<b>Dimensions W/ Squeegee</b>	52"L x 31"W x 45" H (132 cm x 78 cm x 114 cm)
<b>Weight Without Batteries</b>	437 lbs (198 kg) No Solution
<b>Weight With Batteries</b>	882 lbs (400 kg) Full Solution and 140 AH battery pack
<b>Approvals</b>	None
<b>IP Protection Class</b>	IPX4

### For Safety When Servicing or Maintaining Machine

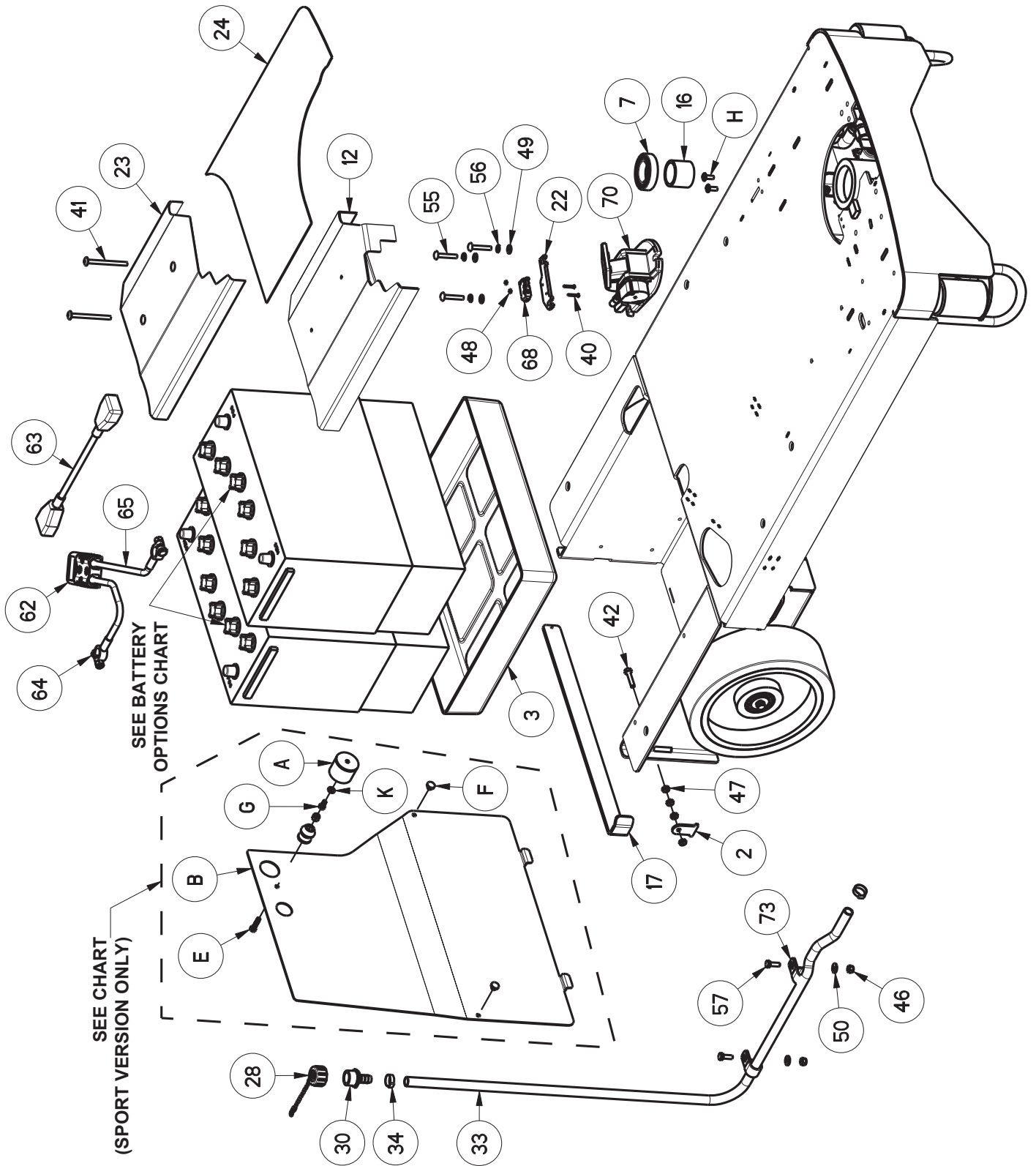
- Stop on level surface.
- Disconnect the power to the machine by pulling the red Battery Connector located under the recovery tank near the batteries.
- Avoid moving parts. Do not wear loose jackets, shirts, or sleeves when working on machine.
- Avoid contact with battery acid. Battery acid can cause burns. When working on or around batteries, wear protective clothing and safety glasses. Remove metal jewelry. Do not lay tools or metal objects on top of batteries.
- Do not clean machine with a pressure washer.
- Authorized personnel must perform repairs and maintenance. Use Minuteman supplied replacement parts.

## Table of Contents

Technical Specifications .....	3
Frame Group (Pg 1 of 2) .....	6
Frame Group (Pg 2 of 2) .....	7
Wheel Group .....	10
Tower Group .....	12
Tank Group (Pg 1 of 3) .....	14
Tank Group (Pg 2 of 3) .....	16
Tank Group (Pg 3 of 3) .....	18
Electrical Panel Assembly .....	20
Steering Column Group .....	22
Scrub Head Group .....	24
Scrub Head Lift Group .....	26
Squeegee Group .....	28
Squeegee Lift Group .....	30
Wiring Diagrams - ECO Models .....	32
Wiring Diagrams - Sport Models .....	40
Warranty .....	48







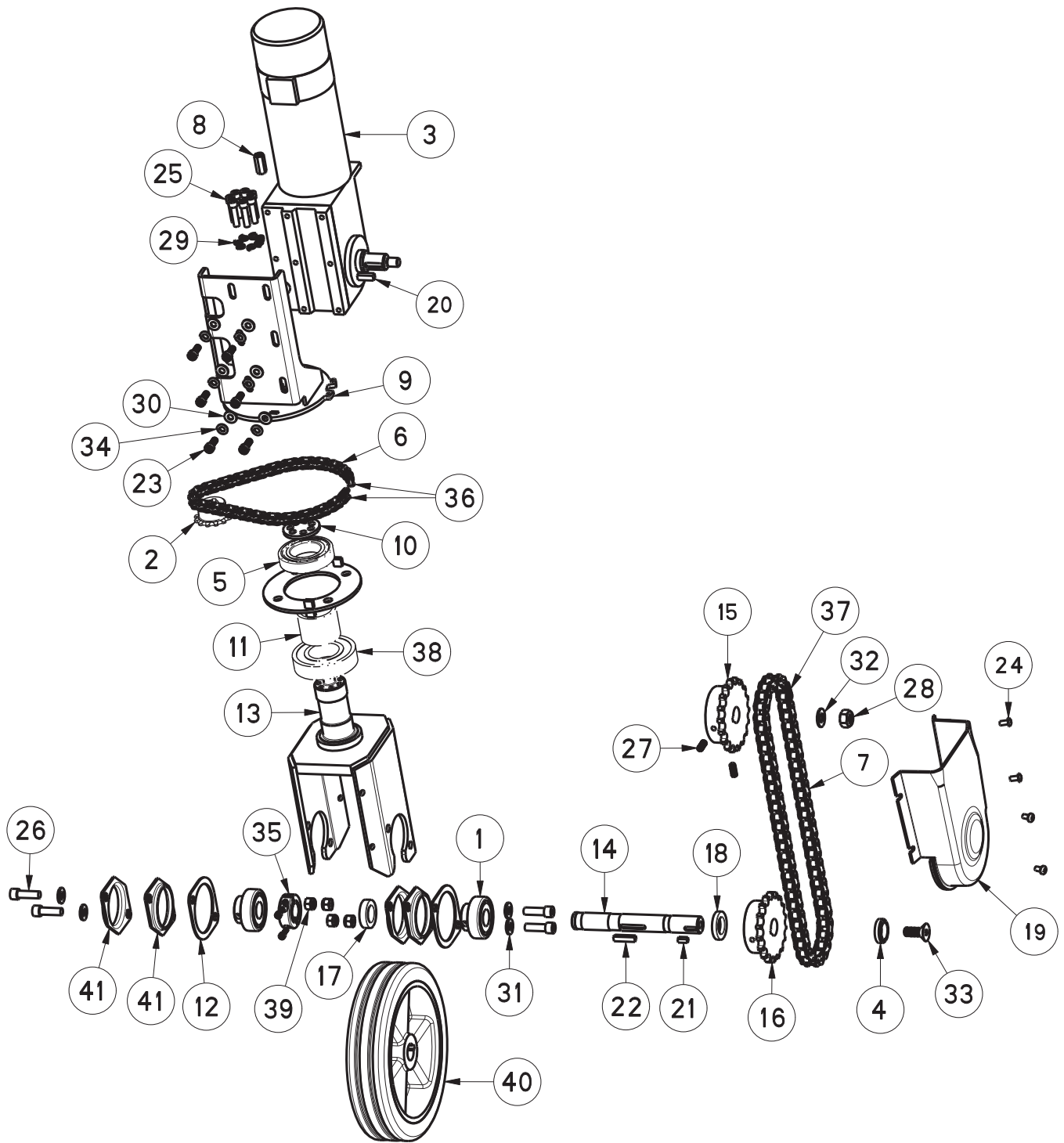
BILL OF MATERIAL - 245600							
ITEM	PART #	QTY	DESCRIPTION	ITEM	PART #	QTY	DESCRIPTION
1	172469	1	HOSE, NYLON 1/2 X 4.5 IN	29	320265	1	FTG-ADPTR 3/8 MPT X 3/8 HB BRASS
2	245213	1	RETAINER-BATTERY BAR	30	342445	1	FTG-GARDEN ST 1/2 HB PP
3	245216	1	BOX-BATTERY-MAX 26	31	383337	2	FTG-ELBOW 90 3/8 MPT X 1/2 HB PP
4	245220	1	WHEEL DRIVE GROUP 20" & 26"	32	383347	5	CLAMP-CRIMP 1/2 HOSE
5	245304	1	BLOCK, SLIDE	33	430232	1	HOSE, 1/2 ID X 48", CLEAR
6	245338	2	SCR-FHSCS 5/16-18 X 5/8 SS	34	450076	1	CLAMP-HOSE 5/8 (.590-.791) SS
7	245416	1	BALL BEARING 35MM X 62MM OD X 14MM W	35	600933	7	NUT-NYLOC M6-1.00 SS
8	245419	2	ROLLER, BUMPER, 2.5 DIA.	36	600950	2	WASHER-FLAT M12 ZP
9	245450	1	HOSE-VAC, CLEAR 1.50"ID X 43 LNG	37	620027	2	PIN-CLEVIS 1/2 X 4.50 ZP
10	245461	2	WHEEL - ASSY, IDLER, 254 x 80 W/ BRGS	38	710204	2	SCR-PHMS 6-32 X .50 ZP
11	245520	1	WELDMENT, FRAME 26"	39	710353	2	SCR-PHMS 10-32 X .37 ZP
12	245570	1	WELDMENT, RISER, 26"	40	710493	2	SCR-RHMS 4-40 X .75 ZP
13	245588	1	MOUNT, SCRUB HEAD RH 26"	41	710592	2	SCR-THMS 1/4-20 X 3.00 SS
14	245589	1	MOUNT, SOLUTION VALVE	42	711210	1	SCR-HH 1/4-20 X 1.25 ZP GR 5 FULL THRD
15	245590	1	MOUNT, HAND VALVE	43	711215	2	SCR-PHMS 4-40 X 1.5 ZP
16	245592	1	SPACER, BEARING	44	711227	2	SCR-HH 5/16-18 X .62 ZP GR 5
17	245662	1	BAR, BATTERY RETAINER	45	711371	2	NUT-NYLOC 6-32 ZP
18	245780	1	VALVE- BALL 1/2 FPT X 1/2 HB	46	711373	2	NUT-NYLOC 1/4-20 ZP
19	245781	1	FILTER - 1/2 MPT X 1/2 HB	47	711387	4	NUT-JAM 1/4-20 ZP NYLOC
20	245783	1	FTG-ELBOW STREET 90 1/2 MPT X 1/2 FPT BLK PP	48	711428	4	NUT-HEX 4-40 ZP
21	245784	1	PLATE - MTG - BALL VALVE AND FILTER	49	711504	5	WASHER-FLAT 1/4 SS
22	245793	1	PLATE, LIMIT SW MNT, @ PEDAL	50	711505	2	WASHER-FLAT 1/4 ZP
23	245803	1	TREAD, ANTI-SKID, RISER 26"	51	711516	2	WASHER-FLAT 5/16 X 1.25 X .05 ZP
24	245804	1	TREAD, ANTI-SKID, FRAME 26"	52	711545	2	WASHER-LOCK 5/16 SPLIT ZP
25	245806	2	BUSHING-FLG, .50 x .62 x .31 LG OILITE	53	711553	2	WASHER-INT TOOTH LOCK #10 ZP
26	245809	1	BRACKET - MTG, LIMIT SWITCH, SCRUBDECK	54	712326	2	WASHER-INT LOCK #4 SS
27	281088	1	FTG-ELBOW 90 ST 3/8 MPT x 3/8 FPT BRASS	55	712541	3	SCR-THMS 1/4-20 X 1.00 SS
28	283690	1	ASSY, BREATHER CAP W LANYARD	56	712758	3	WASHER-LOCK 1/4 SPLIT SS



BILL OF MATERIAL - 245496							
ITEM	PART #	QTY	DESCRIPTION	ITEM	PART #	QTY	DESCRIPTION
57	713002	2	SCR-HH 1/4-20 X .75 ZP 5	67	747603-2	3	SWITCH ASY, MICRO ROLLER W/ PACK/CONDUIT
58	730878	4	SCR-HH M10-1.50 X 30 SS	68	747604	1	SWITCH, MICRO .96" ROLLER ARM
59	730934	8	SCR-HH M6-1.00 X 16 SS FULL THREAD	69	748200	1	HORN / BACK UP ALARM, 9-48VDC
60	730971	1	TUBING, .50 ID X .13 WL BRA VIN 18.5 IN	70	748507	1	PEDAL ASSY, THROTTLE, FLOOR MTG 25°, IEC
61	731560	1	TUBING, .50 ID X .13 WAL BRA VIN 25.5 IN	71	833374	2	PIN-HAIRPIN COTTER 3/8
62	740159	1	CONNECTOR-SB175 RED HOUSING	72	3300535	1	CLAMP-HOSE 1.00 NOM
63	740164-1	1	CABLE ASSY- BATTERY JUMPER, 4G RED 12"	73	3301158	2	CLAMP-CABLE 11/16" DIA
64	740167	1	BATTERY CABLE, RED 4AWG SB175	74	3302193	1	CLAMP-HOSE 1.25 NOM
65	740168	1	BATTERY CABLE, BLACK 4AWG SB175	75	3303302	1	FTG-REDUCER 3/8 FPT X 1/4 MPT
66	740493	1	VALVE-WATER 24VDC				

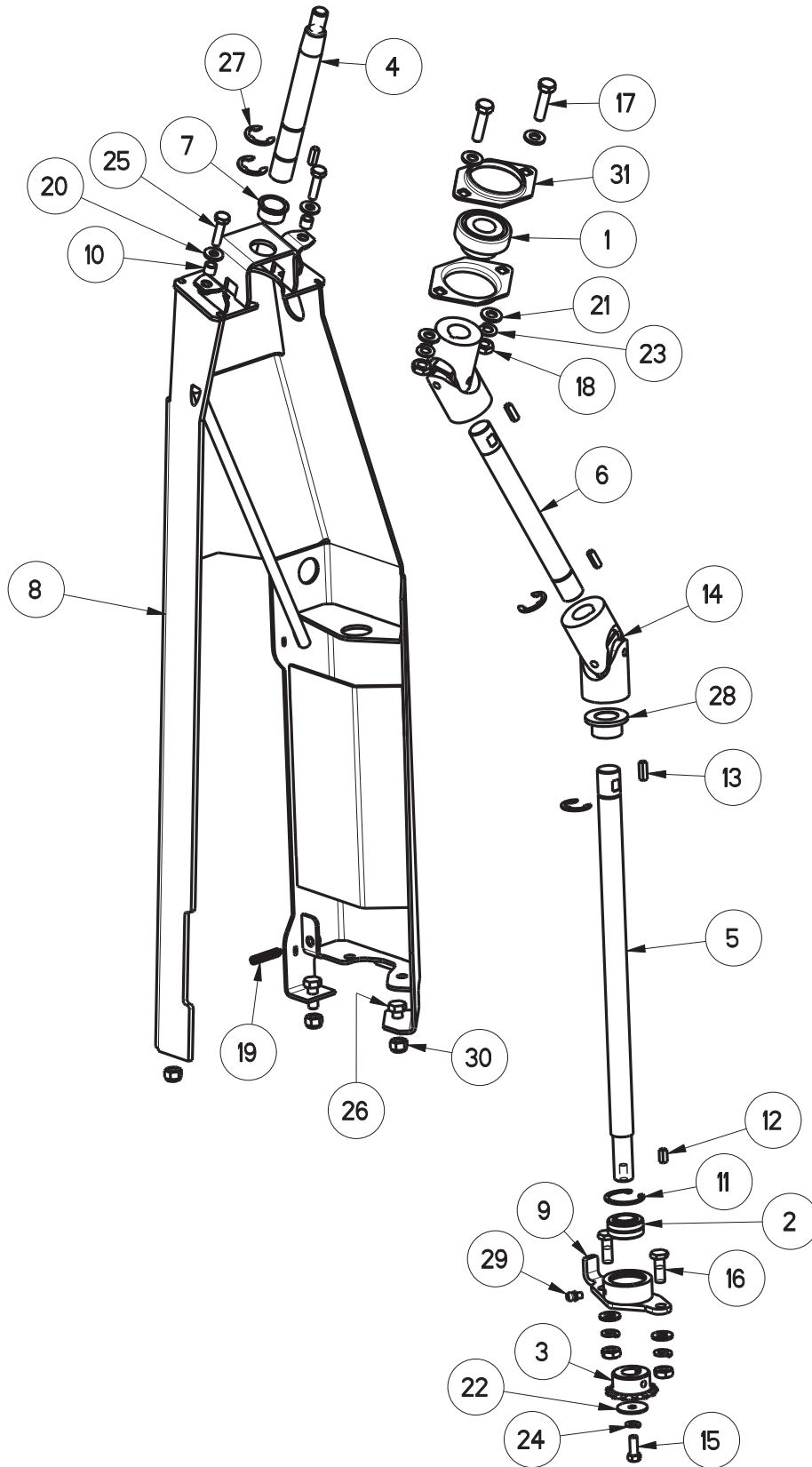
BATTERY AND CHARGER OPTIONS			
MODEL	BATTERY PART NO.	CHARGER PART NO.	DESCRIPTION
MR26DQPG, MR26DSQPG	956748	957764-4	BATTERY, 12V 234AH AGM
MR26DQPT, MR26DSQPT	956756	957764-2	BATTERY, WET 12V 225AH TROJAN
MR26DQP, MR26DQPINT	956210	957764-2	BATTERY, 12V 210AH
MR26DSQP, MR26DSQPINT	956210	957764-2	BATTERY, 12V 210AH

SPORT VERSIONS ONLY							
ITEM	PART NO.	QTY	DESCRIPTION	ITEM	PART NO.	QTY	DESCRIPTION
A	245222	1	LATCH-RUBBER	F	3300526	2	BUMPER-RUBBER 1/4 ID X 1/8 THK
B	245661	1	COVER, REAR 26"	G	11038064	1	BLT-HH M6 X 1.0 X 12 STL ZD 8.8 DIN 933
C	600125	1	CATCH, PARKING BRAKE	H	11177060	2	SC-BHCS W/ FLANGE M6 X 1.0 X 16 304SS
D	711504	2	WASHER-FLAT 1/4 SS	J	12040044	3	NUT-NYLOC M6 X 1.0 ZP CLASS 6
E	731006	1	SCR-HH M6-1.00 X 25 ZP CLASS 8.8	K	12310033	1	WASHER-FLAT M6.4 X 12 X 1.6 ZP



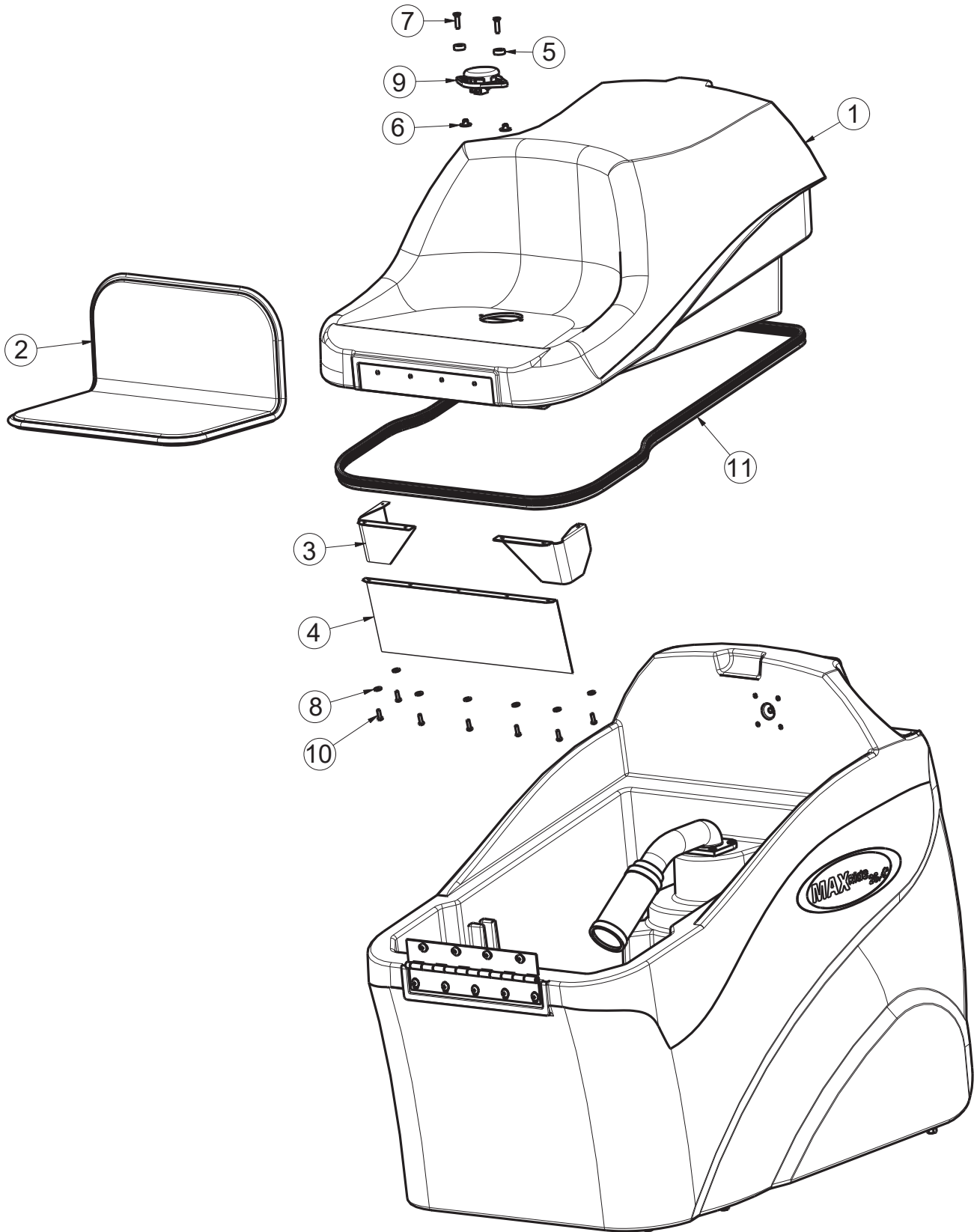
Rev B

BILL OF MATERIAL - 245220			
ITEM	PART NO.	QTY	DESCRIPTION
1	66-138-A	2	BEARING
2	245087	1	SPROCKET, ROLLER CHAIN 35FB13 - 5/8"BORE
3	245184	1	GEAR-MOTOR, TRACTION, 24VDC 700W, ASI
4	245273	1	WASHER, END-OF-SHAFT, 3/8 FL HD
5	245416	1	BALL BEARING 35MM X 62MM OD X 14MM W
6	245445-1	1	CHAIN - ROLLER #35 - 23 LINKS
7	245446-1	1	CHAIN - ROLLER #40 - 31 LINKS
8	245562	1	NUT, COUPLING, 1/4-20 X 7/8 ZINC
9	245564	1	WELDMENT, STEERING RING
10	245579	1	DISC, STEERING PLT
11	245592	1	SPACER, BEARING
12	245594	2	SPACER, BEARING
13	245595	1	WELDMENT, FORK
14	245760	1	SHAFT, TRACTION WHEEL
15	245785	1	SPROCKET - CHAIN, 40B19 MINIMUM BORE
16	245786	1	SPROCKET - CHAIN, 40B18 3/4" BORE
17	245787	1	SLEEVE, SPACER, .755 ID 1.25 OD .321 LG
18	245788	1	SLEEVE, SPACER, .755 ID 1.25 OD .216 LG
19	245790	1	COVER - CHAIN, TRACTION
20	245811	1	KEY-6mm X 6mm X .75
21	245813	1	KEY-3/16 X 3/16 X 7/16
22	245815	1	KEY-STEPPED, 3/16 X 6MM X 1.0"
23	600912	6	SCR-SHCS M6-1.00 X 16 ZP
24	710353	4	SCR-PHMS 10-32 X .37 ZP
25	710826	7	SCR-SHCS 1/4-20 X 1.00 SS
26	710857	4	SCR-SHCS 5/16-24 X 1.00 BLL OX
27	711006	2	SCR-SET 1/4-20 X .62 BLK OX CP
28	711417	1	NUT-NYLOC M10 x 1.25 ZP
29	711421	7	WASHER-LOCK 1/4 SPLIT, HIGH-COLLAR, SS
30	711504	6	WASHER-FLAT 1/4 SS
31	711506	4	WASHER-FLAT 5/16 X .688 ZP
32	711515	1	WASHER-FLAT 3/8 X .812 X .0625 ZP
33	712519	1	SCR-FHSCS 3/8-24 X 1.00 ZP
34	712758	6	WASHER-LOCK 1/4 SPLIT SS
35	713532	1	COLLAR, CLAMP 2-PIECE, 11/16 B x 1/2" W
36	833292	2	CHAIN MASTER LINK #35
37	833629	1	CHAIN MASTER LINK #40
38	3305667	1	BEARING-MAIN BROOM
39	3400420	4	NUT-NYLOC 5/16-24 ZP
40	90538117	1	WHEEL, 200 X 45 X 19 ID, URETHANE
41	340742MCH	4	FLANGE MACHINED



Rev A

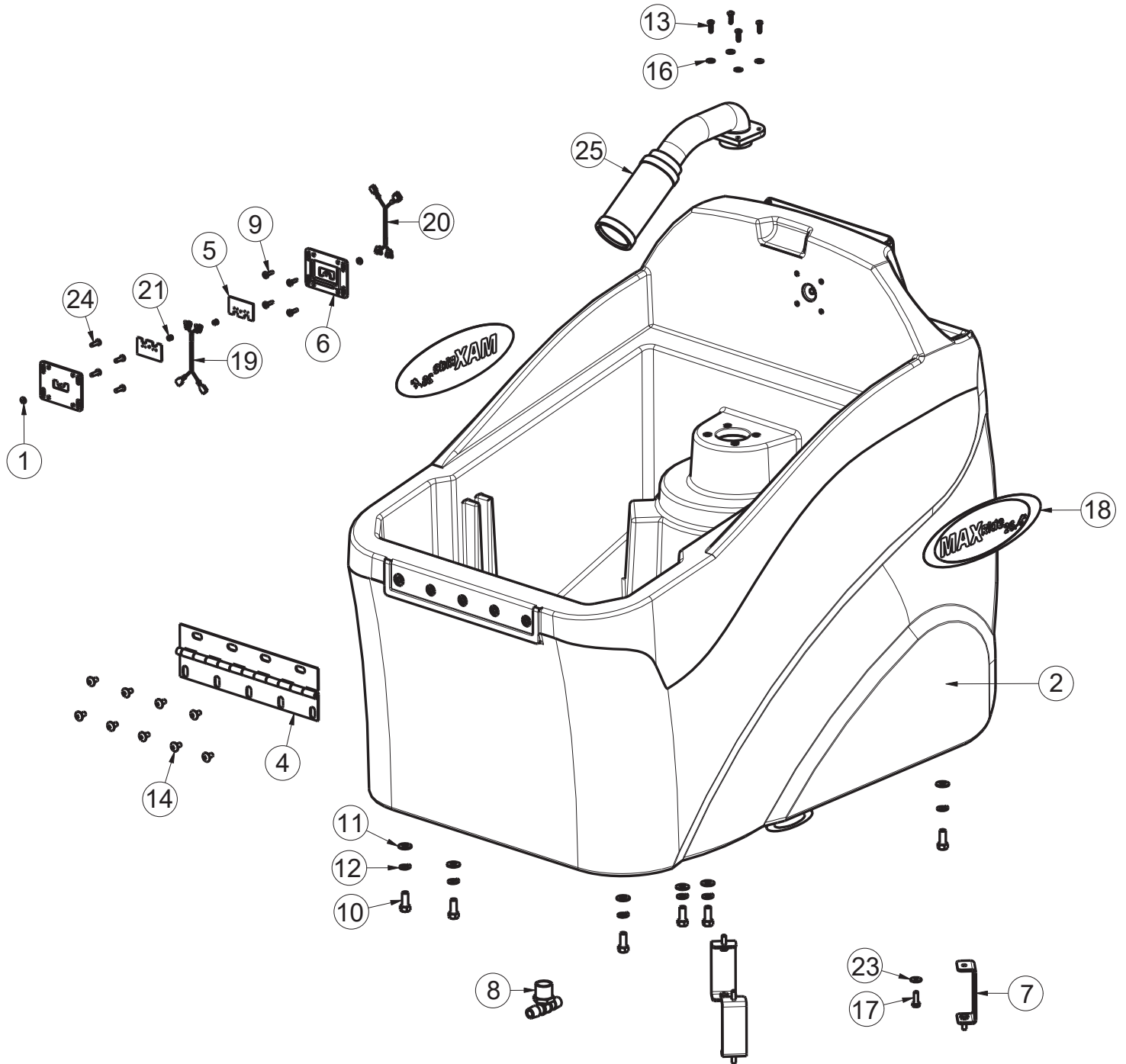
BILL OF MATERIAL - 245502			
ITEM	PART NO.	QTY	DESCRIPTION
1	66-138-A	1	BEARING
2	245085	1	BEARING, SPHERICAL 5/8"ID X 1.187"OD
3	245087	1	SPROCKET, ROLLER CHAIN 35FB13 - 5/8"BORE
4	245099	1	SHAFT, STEERING WHEEL MTG
5	245101	1	SHAFT, STEERING LOWER, PINION SPROCKET
6	245102	1	SHAFT, STEERING, MID - FLOATING
7	245199	1	BUSHING-FLG, .75 x .88, x .50 LG OILITE
8	245550	1	WELDMENT, TOWER
9	245580	1	WELDMENT, TENSIONER
10	245583	2	SPACER, .266 B, .313 OD, .313 T
11	245584	1	RETAINING RING, INT, 1.188 ZP
12	245813	1	KEY-3/16 X 3/16 X 7/16
13	245814	4	KEY-3/16 X 3/16 X 5/8
14	383098	2	JOINT-UNIVERSAL 3/4"
15	711203	1	SCR-HH 1/4-20 X .62 ZP TAP
16	711229	2	SCR-HH 5/16-18 X .87 ZP GR 5
17	711231	2	SCR-HH 5/16-18 X 1.25 ZP GR 5 FULL THREA
18	711319	4	NUT-HEX 5/16-18 ZP
19	711489	1	SCR-SET 1/4-20 x 1.25 DOG POINT BLACK
20	711505	2	WASHER-FLAT 1/4 ZP
21	711506	6	WASHER-FLAT 5/16 X .688 ZP
22	711519	1	WASHER-FLAT 1/4 X 1.00 X .06 ZP
23	711545	4	WASHER-LOCK 5/16 SPLIT ZP
24	712758	1	WASHER-LOCK 1/4 SPLIT SS
25	713003	2	SCR-HH 1/4-20 X 1.00 ZP GR 5
26	717024	3	SCR-HH M8-1.25 X 20 ZP GRADE 8.8
27	809148	4	RET RING-E TYPE .75
28	832554	1	BUSHING-FLG .7505 X 1.437 X .625 BRNZ
29	3400012	1	FTG-GREASE 3/16
30	12040051	3	NUT-NYLOC M8 X 1.25 ZP CLASS 8
31	340742MCH	2	FLANGE MACHINED



Rev B

BILL OF MATERIAL - 245764			
ITEM	PART NO.	QTY	DESCRIPTION
1	245005	1	LID W/ SEAT, TANK, ER26-V
2	245444	1	SEAT-CUSHIONED, SEWN SEAT & BACK
3	245766	2	SKIRT-DRIP, LID, END PIECE
4	245805	1	SKIRT-DRIP, LID,CENTER 26"
5	245817	2	SPACER, .39 ID X .75 OD X .25 T, PVC
6	711491	2	NUT-TEE, PROPELL INSERT 1/4-20 X 5/16 ZP
7	712153	2	SCR-FHSCS 1/4-20 X 1.00 SS
8	712764	14	WASHER-FLAT #10 SS
9	740601	1	SWITCH, SEAT, BOLT MOUNT
10	3401449	11	SCR-HI/LO 10 X .75 SS PAN HD
11	25510512	1	GASKET, RUBBER BLADE, PRESS IN





Rev B



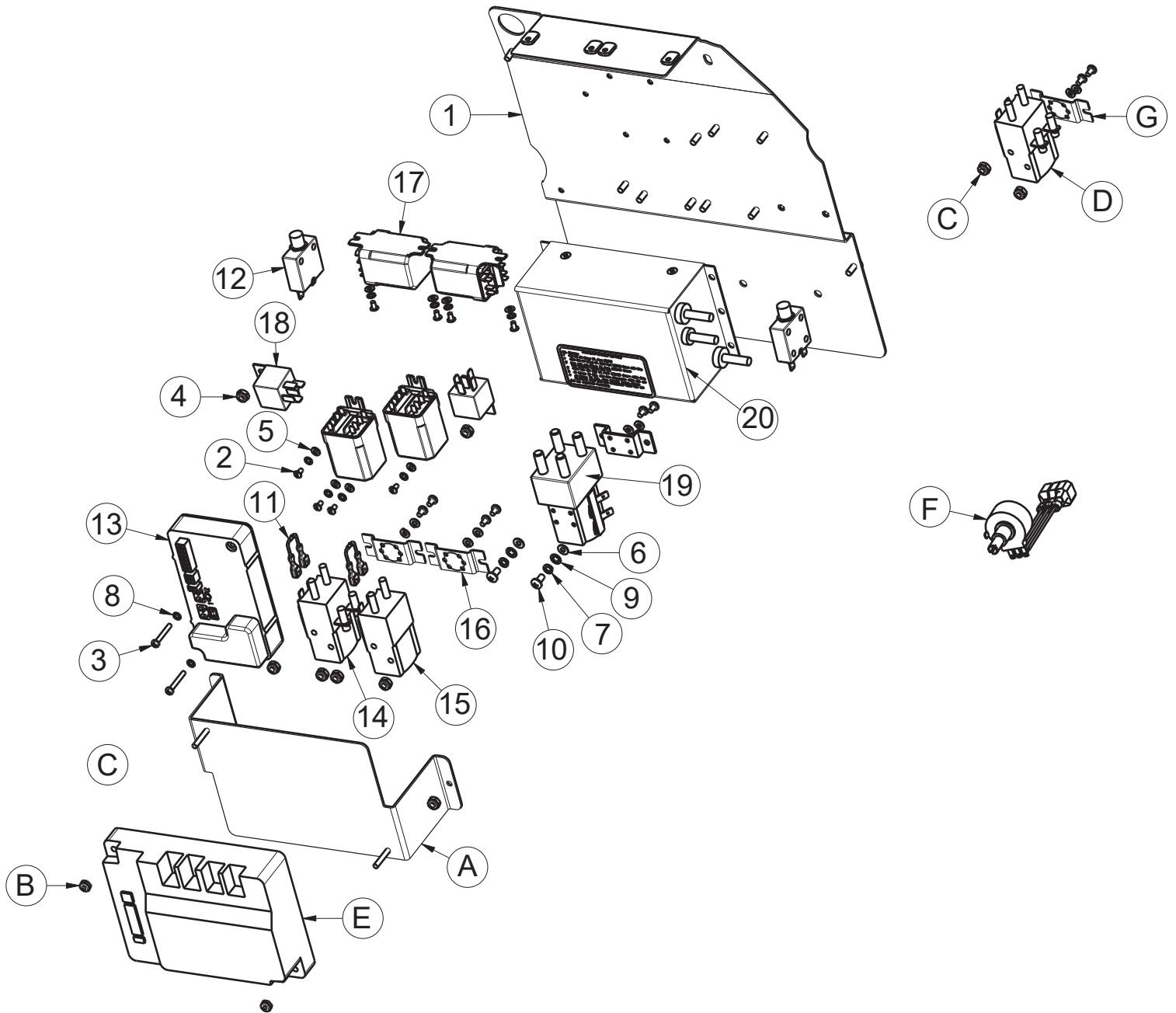
BILL OF MATERIAL - 245764			
ITEM	PART NO.	QTY	DESCRIPTION
1	950-4-S	2	BACK UP PLATE 1/8" STEEL
2	245004	1	TANK, SOLUTION & RECOVERY ER26-V
3	245234	1	ASSY, VACUUM & HOUSING
4	245422	1	HINGE, STEEL, 11.38" LONG PAINTED
5	245453	2	PLATE - INSERT, INTERCONNECT
6	245456	2	PLATE - BASE, INTERCONNECT
7	245663	3	WELDMENT, VAC MOTOR PILLAR
8	342440	1	FTG-TEE 3/4 MPT X 1/2 HB NYLON
9	710130	4	SCR-THMS 8-32 X .62 SS
10	711246	6	SCR-HH 3/8-16 X .87 ZP GR 5
11	711515	6	WASHER-FLAT 3/8 X .812 X .0625 ZP
12	711546	6	WASHER-LOCK 3/8 SPLIT ZP
13	712536	10	SCR-THMS 10-24 X .62 SS
14	712560	9	SCR-THMS 1/4-20 X .50 SS W/NYLON PATCH
15	712667	3	NUT-NYLOC 1/4-20 SS
16	712764	14	WASHER-FLAT #10 SS
17	713002	3	SCR-HH 1/4-20 X .75 ZP 5
18	715978	2	DECAL, MAIN OVAL MAX-RIDE 26, ER V-26
19	747349	1	WIRE ASSY, SEAT SWITCH
20	747350	1	WIRE ASSY, SEAT SW CONN
21	827666	2	RIVET-POP 1/8 DOME HD, BLK ALUM BODY
22	3400089	3	WASHER-FLAT 1/4 ZP
23	3400383	3	WASHER-CONICAL SPRING 1/4
24	3401449	11	SCR-HI/LO 10 X .75 SS PAN HD
25	97118731	1	FILTER UNIT, SCREENED FLOAT



BILL OF MATERIAL - 245764			
ITEM	PART NO.	QTY	DESCRIPTION
1	172065	1	CLIP, FOR 1/2" ID HOSE
2	172159	1	FILTER, FILL PORT, ES1720
3	241049	1	MUFFLER-VAC MOTOR, SCV 24/26
4	245452	1	HOSE-DRAIN W/CAP 1.50"ID, 30.5"L
5	245660	1	BRACKET - MTG, REAR COVER LATCH & ELEC
6	245794	1	HOLDER - CORD, W/ SOFT CAPS, BATT CHARGR
7	245907	1	BRACKET, BREAKER MOUNT 26"
8	260579	1	CLIP-TOOL 1.5 INCH HOSE
9	710528	2	SCR-FHMS 8-32 X .37 BRASS
10	711163	2	SCR-HI/LO 10 X .50 BLACK ZINC PAN HD
11	711502	3	WASHER-FLAT #8 ZP
12	712536	10	SCR-THMS 10-24 X .62 SS
13	712540	12	SCR-THMS 10-24 X .37 SS
14	712764	14	WASHER-FLAT #10 SS
15	712770	6	WASHER-INT TOOTH LOCK #10 SS
16	715535	1	DECAL, VACUUM-DRIVE MOTOR-POWER
17	715536	1	DECAL, BRUSHES L-R
18	740188-3	1	SWITCH, TOGGLE W/FEM PACK
19	742748	5	CIRCUIT BREAKER-BOOT
20	747609	1	CIRCUIT BREAKER-4.0AMP PUSH BUTTON
21	747614	1	INDICATOR, BATTERY CHARGE STATUS (E1720)
22	747689	1	STRAIN RELIEF CABLE DIA. .181-.312 #3210
23	748515	1	ASSY, ELECTRICAL PANEL, 20/26
24	3044112	1	CLAMP-HOSE, SS, 2.50 MAX WORM
25	3303255	1	CLAMP-HOSE 1.75 DIA NOMINAL

ADDITIONAL ECO MODEL PARTS			
ITEM	PART NO.	QTY	DESCRIPTION
A	245911	1	COVER, ELEC BOX, ECO 26"
C	740247	4	CIRCUIT BREAKER-30AMP PUSH BUTTON

ADDITIONAL SPORT MODEL PARTS			
ITEM	PART NO.	QTY	DESCRIPTION
A	245910	1	COVER, ELEC BOX, SPORT 26"
B	715533	1	DECAL, 2 POSITION SWITCH, BRUSH MOTOR
C	740247	2	CIRCUIT BREAKER-30AMP PUSH BUTTON
D	747717	1	KEYSWITCH ASSY, 2 POS, ON/OFF
E	748904	2	BREAKER CIRCUIT 40 AMP 10-32 SCREWS 90 D

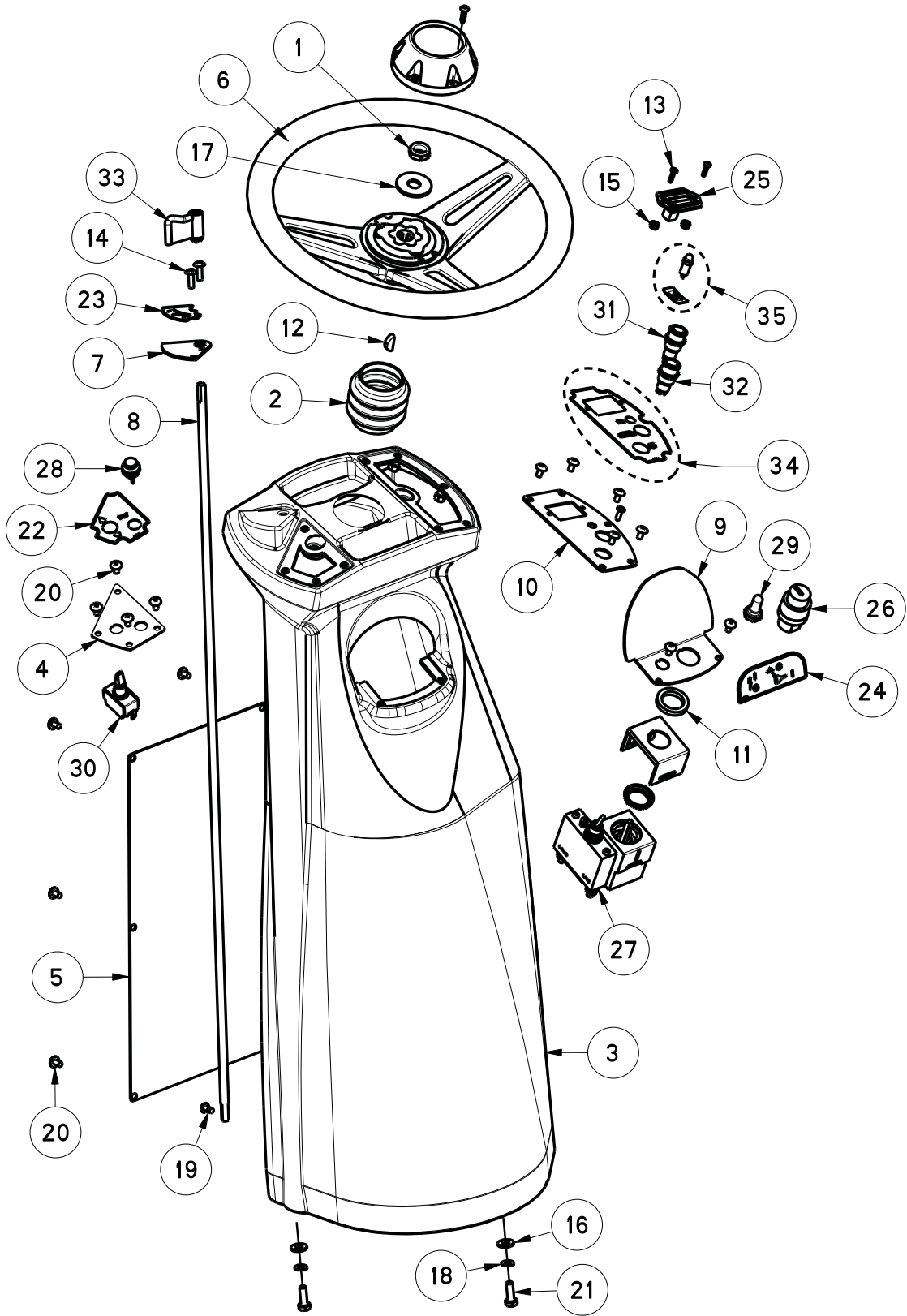


Rev C

BILL OF MATERIAL - 748515			
ITEM	PART NO.	QTY	DESCRIPTION
1	245900	1	PANEL, ELEC CHASSIS 20/26
2	710202	8	SCR-PHMS 6-32 X .25 ZP
3	710307	2	SCR-PHMS 6-32 X 1.00 ZP
4	711350	7	NUT-NYLOC 10-32 ZP
5	711501	8	WASHER-FLAT #6 X .375 ZP
6	711502	2	WASHER-FLAT #8 ZP
7	711543	2	WASHER-LOCK #10 SPLIT ZP
8	711551	10	WASHER-INT LOCK #6
9	711553	2	WASHER-INT TOOTH LOCK #10 ZP
10	712810	2	SCR-RHMS 10-24 X .37 ZP
11	740482	2	DIODE ASY, 1N4007 W/PIGGY
12	740703	2	CIRCUIT BREAKER, 1 AMP
13	747389	1	I-DRIVE, 70 AMP
14	747615	1	RELAY, 24VDC 2 POLE NO/NC 80A
15	747616	1	RELAY, 24VDC 1 POLE NO 80A
16	747619	2	BRACKET, RELAY 747615 & 747616
17	748509	4	RELAY, DPDT, MAX RIDE
18	748511	2	RELAY, SPDT, MAX RIDE
19	90331026	1	RELAY, 24VDC 2 POLE NO 125A
20	957764-2	1	CHARGER, SIGNET (WET BATTERIES) NEMA 5-15 PLUG
	957764-4		CHARGER, SIGNET (AGM BATTERIES) NEMA 5-15 PLUG

ADDITIONAL SPORT MODEL PARTS			
ITEM	PART NO.	QTY	DESCRIPTION
A	245901	1	BRACKET - MTG, I-DRIVE SPORT
B	711026	2	NUT-NYLOC 8-32 SS
C	711350	2	NUT-NYLOC 10-32 ZP
E	747359	1	I-DRIVE, 180 AMP
F	747388	1	POTENTIOMETER WIRE ASSY

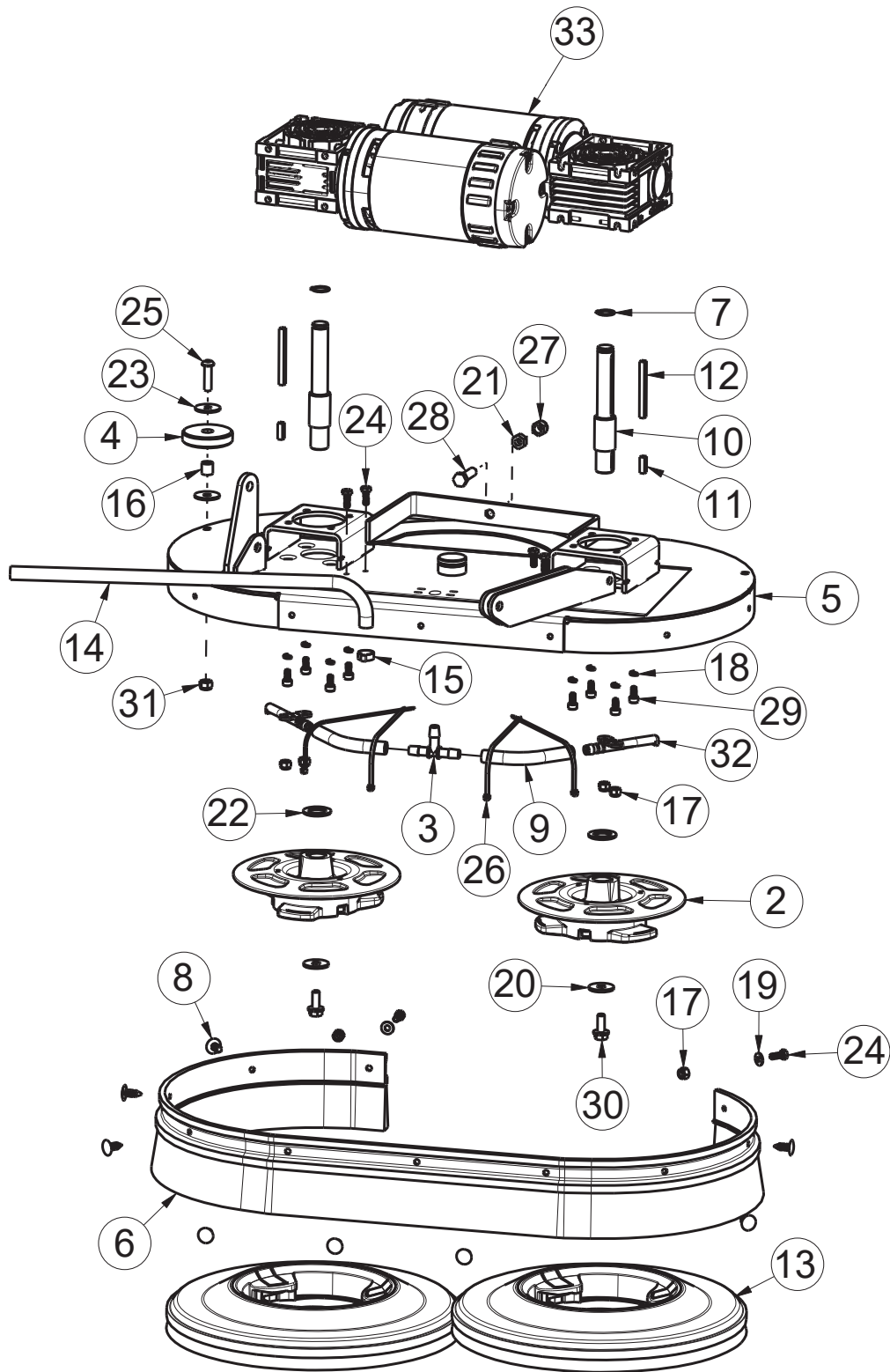
ADDITIONAL ECO MODEL PARTS			
ITEM	PART NO.	QTY	DESCRIPTION
C	711350	2	NUT-NYLOC 10-32 ZP
D	747615	1	RELAY, 24VDC 2 POLE NO/NC 80A
G	747619	1	BRACKET, RELAY 747615 & 747616



Rev C

BILL OF MATERIAL - 245472			
ITEM	PART NO.	QTY	DESCRIPTION
1	368-816	1	NUT-NYLOC HALF 1/2-20 ZP
2	241224	1	BOOT - STEERING SHAFT, SCV 2426
3	245003	1	CONSOLE, STEERING ER2026-V
4	245028	1	PANEL-CONTROL, LH FWD-REV SLCTR ASSY
5	245156	1	PANEL-FRONT, STEERING CONSOLE, ER20/26-V
6	245345	1	STEERING WHEEL- 12.75"
7	245447	1	PLATE, WATER FLOW LEVER
8	245448-1	1	ROD, WATER FLOW LEVER, FINISHED
9	245688	1	PANEL, CENTER, KEY SWITCH & C.B.
10	245801	1	PANEL-CONTROL RH, FUNCTION SELECT, SPORT
11	245802	1	SPACER, PVC, KEY SWITCH, .188 THK
12	383277	1	KEY-WOODRUFF 3/16 X .750
13	710203	2	SCR-PHMS 6-32 X .37 ZP
14	711160	2	SCR-HI/LO 10 X .625 BLACK ZINC
15	711371	2	NUT-NYLOC 6-32 ZP
16	711505	2	WASHER-FLAT 1/4 ZP
17	711510	1	WASHER-FLAT 1/2 X 1.37 X .10 ZP
18	711544	2	WASHER-LOCK 1/4 SPLIT ZP
19	711923	2	RIVET-POP 3/16
20	712540	17	SCR-THMS 10-24 X .37 SS
21	713002	2	SCR-HH 1/4-20 X .75 ZP 5
22	715762	1	DECAL-FWD-REV SELECTOR MAX RIDE
23	715764	1	DECAL-WATER FLOW
24	715777	1	DECAL, CENTER PANEL, KEY SWITCH-C.B.
25	747011	1	GAUGE-BATTERY TRUCHARGE PGDT 36VDC
26	747387	1	KEYSWITCH ASSY, SWITCH+WIRES MR
27	748012	1	CIRCUIT BREAKER- 100A
28	748047	1	SWITCH, PUSH BUTTON (HORN SCV 36V)
29	748508	1	TOGGLE BOOT, FULL, OPEN THROAT, RED
30	748800	1	SWITCH-TOGGLE G SERIES NYL SPDT ON/ON
31	748803	1	SWITCH, PUSH BUTTON, BLUE LED
32	748804	1	SWITCH, PUSH BUTTON, ORANGE LED
33	90502436	1	LEVER, SOLUTION CONTROL
34	715775	1	DECAL-FUNCTION SELECTOR MAX RIDE (ECO)
	715776		DECAL, FUNCTION SELECTOR, (SPORT)
35	747718	1	LAMP ASSY, LED AMBER, 24V (SPORT ONLY)
	747718-2	1	CLIP, TINNEMAN (SPORT ONLY)



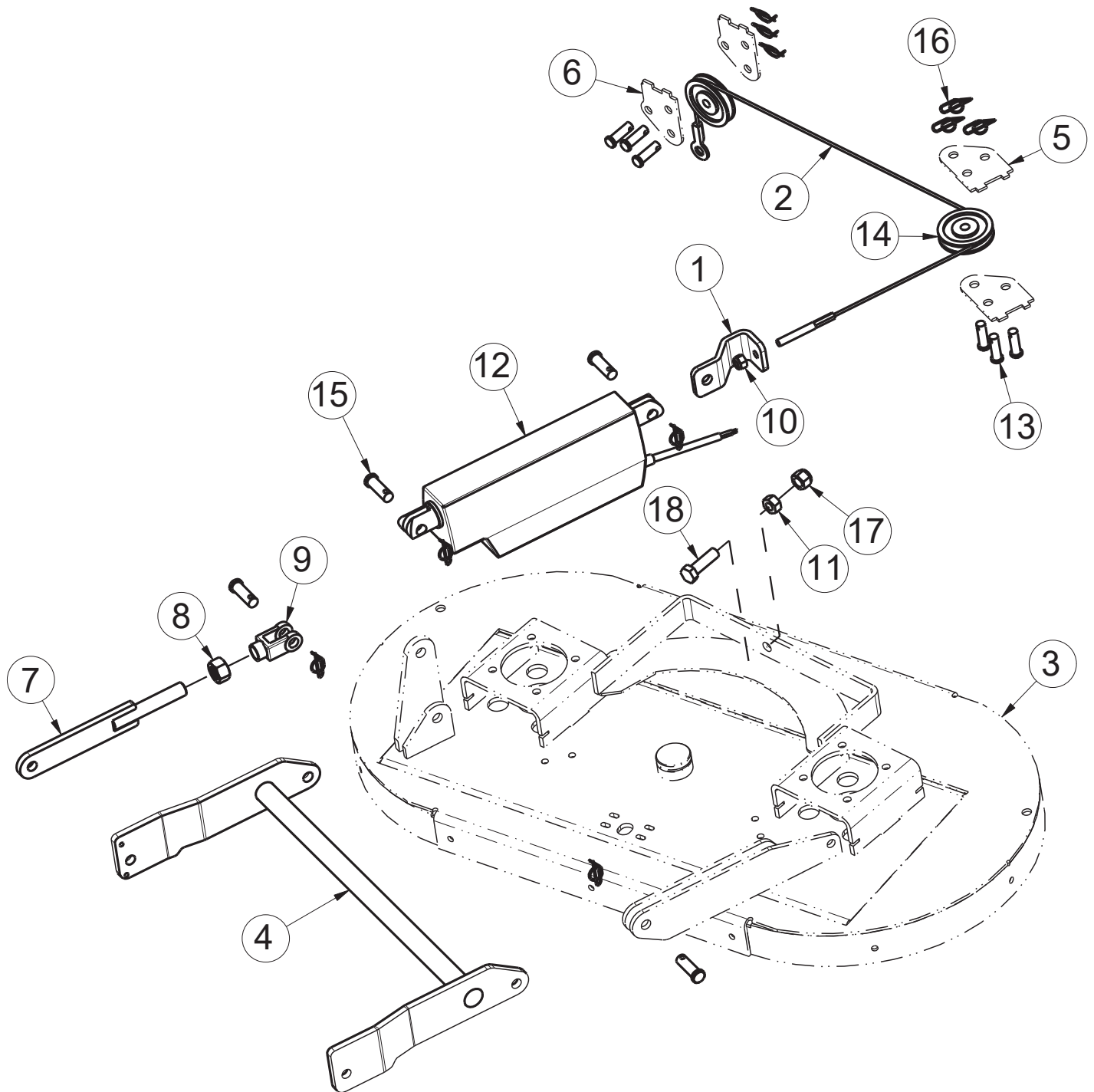


Rev B



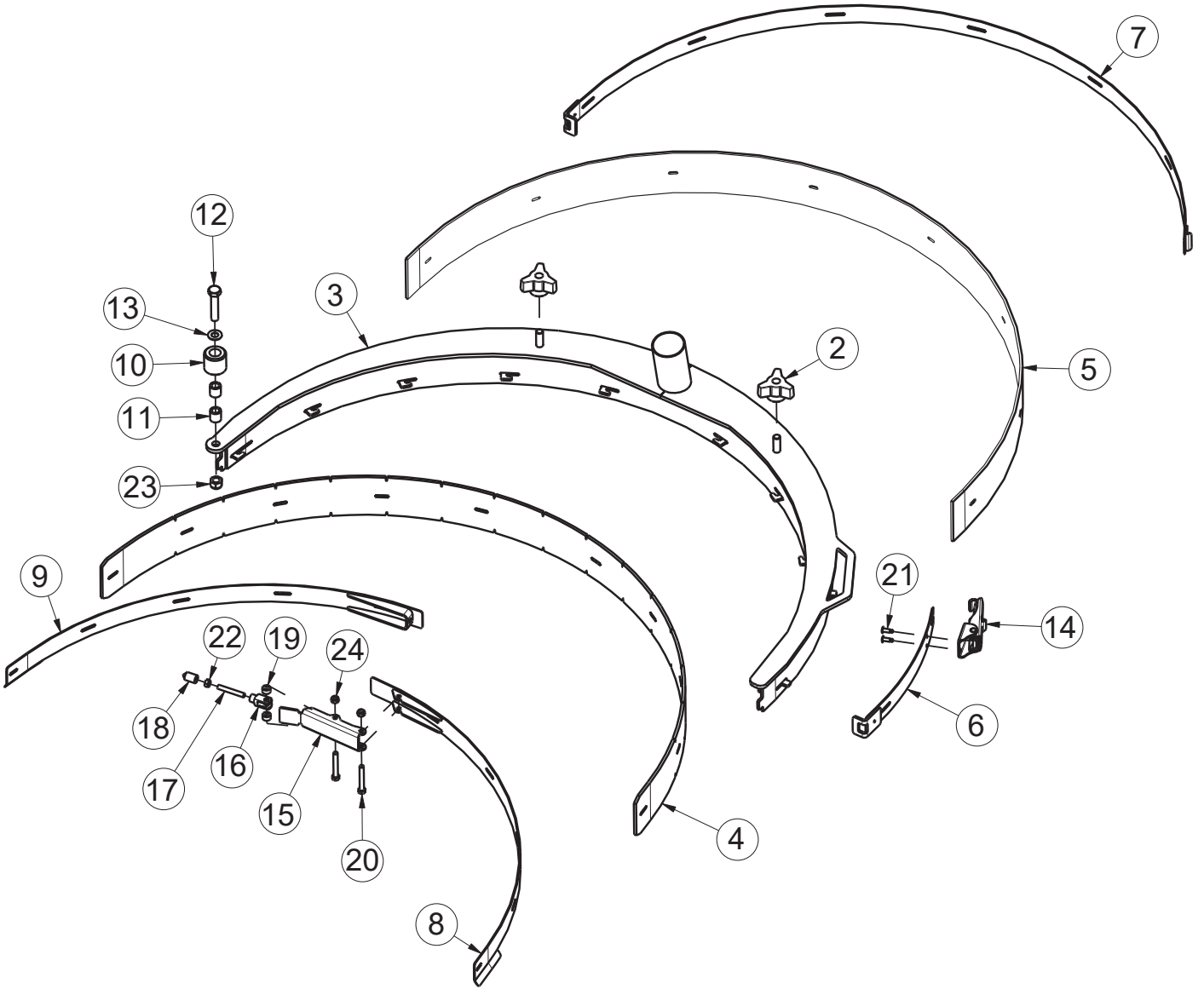
# Scrub Head Group BOM

BILL OF MATERIAL - 245603			
ITEM	PART NO.	QTY	DESCRIPTION
1	712	1	LOCTITE-243 50ML BLUE
2	172510	2	HUB ASSEMBLY, DISC DECK
3	241726	1	FTG-TEE 3/8 HB X 3/8 HB X 3/8 HB NYLON
4	245339	1	ROLLER- SQUEEGEE
5	245351	1	WELDMENT,SCRUBDECK, 26"
6	245367	1	SKIRT, 26 IN
7	245468	2	RET RING-EXT .687 BLK OXIDE
8	245518	8	FASTENER, PLASTIC TREE
9	245519	2	HOSE-NYL REINFORCED 3/8 ID, 4"
10	245591	2	SHAFT, BRUSH DRIVE
11	245811	2	KEY-6mm X 6mm X .75
12	245812	2	KEY-6mm X 6mm X 2.625
13	245818-2	2	PAD DRIVER, 13"
14	283153	1	HOSE 3/8" ID X 16.5"
15	452037	1	CLAMP-CRIMP 170R SS
16	600114	1	SPACER, .328 B .498 OD .500 ,SS
17	600933	6	NUT-NYLOC M6-1.00 SS
18	711421	8	WASHER-LOCK 1/4 SPLIT, HIGH-COLLAR, SS
19	711504	2	WASHER-FLAT 1/4 SS
20	711855	2	WASHER-FENDER 3/8 X 1.12 X .10 ZP HARD
21	712695	1	NUT-HEX 3/8-16 SS
22	717025	2	WASHER-FLAT 13/16 X 1.25 X .08 ZP
23	730526	2	WASHER-FENDER M8 X 24 SS
24	730934	6	SCR-HH M6-1.00 X 16 SS FULL THREAD
25	770536	1	SCR-BHSCS M8-1.25 X 30 SS
26	828062-B	4	CABLE TIE-LARGE (BLACK)
27	3400340	1	NUT-NYLOC 3/8-16 SS
28	3402010	1	SCR-HEX 3/8-16 X 1.25 SS
29	3402054	8	SCR-SHCS M6-1.0 X 12 ZP
30	11717203	2	BLT-HH FLG M8X1.25X20 PRECOTE, ZD 10.9
31	12040259	1	NUT-NYLOC M8 X 1.25 SS
32	90311663	2	FITTING, WATER NOZZLE W/ MOUNT HOLES
33	245231	2	GEAR-MOTOR, BRUSH, 24VDC 600W, AMER ( <i>SPORT MODEL</i> )
	245808		GEAR - MOTOR, BRUSH, 24VDC 400W, AMER ( <i>ECO MODEL</i> )



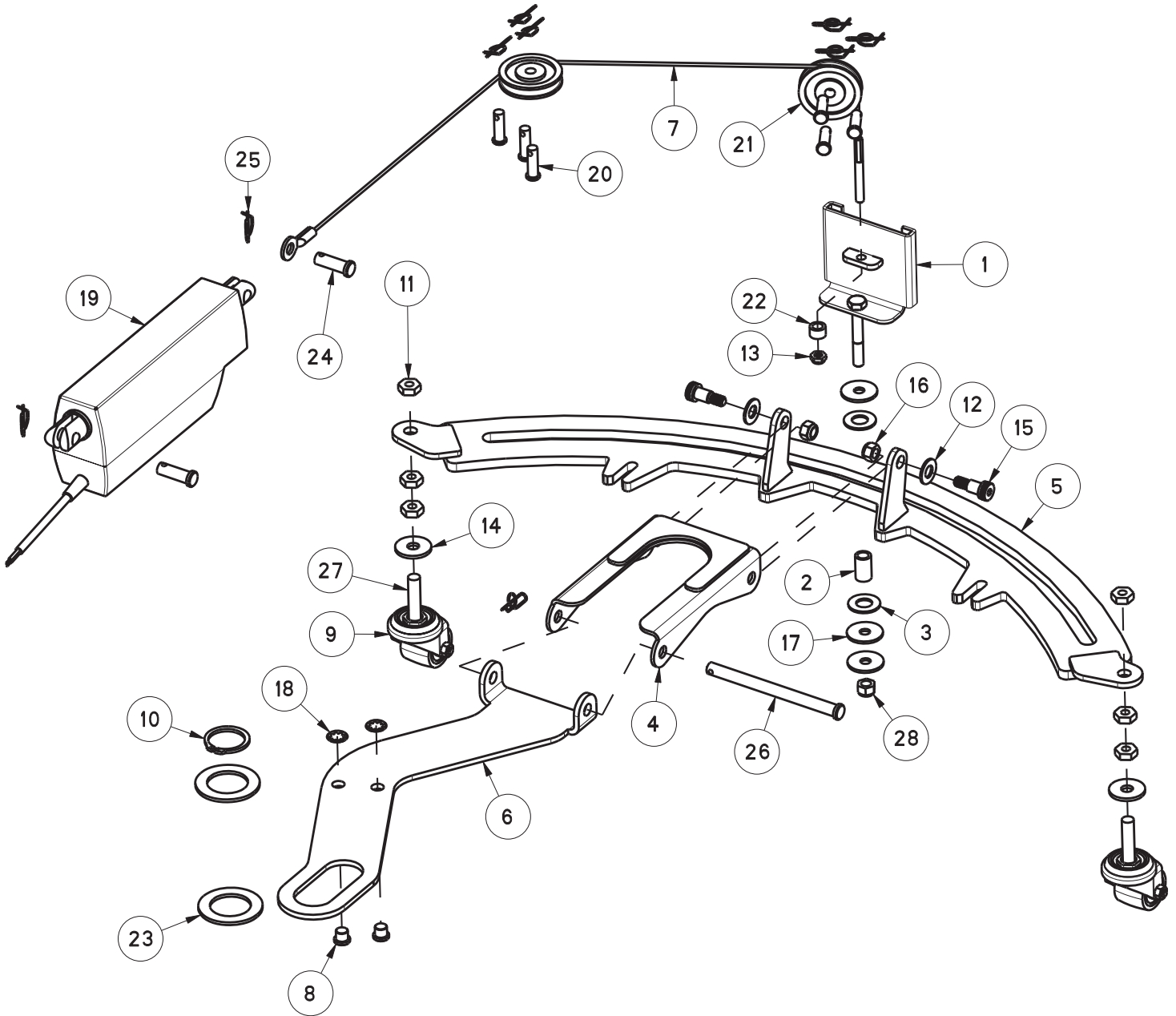
Rev A

BILL OF MATERIAL - 245604			
ITEM	PART NO.	QTY	DESCRIPTION
1	245298	1	LINK, CABLE
2	245346	1	CABLE, SCRUB DECK 26
3	245351	1	WELDMENT,SCRUBDECK, 26"
4	245407	1	TRAINING ARM, SCRUBHEAD, 26", WELD
5	245541	2	W/D, FRAME, PULLEY MNT 3
6	245542	2	W/D, FRAME, PULLEY MNT 4
7	245575	1	WELDMENT, DECK ADJ LINK 26
8	711337	1	NUT-HEX 1/2-20 ZP
9	712265	1	CLEVIS-YOKE, 1/2-20 WITH .375 PIN
10	712667	1	NUT-NYLOC 1/4-20 SS
11	712695	1	NUT-HEX 3/8-16 SS
12	740822-1	1	ACTUATOR ASSYW/ PK-100MM STROKE 750N CE
13	881002	6	PIN-CLEVIS 5/16 X 1.00 ZINC
14	3300368	2	PULLEY-PLASTIC 2" x .25" GROOVE
15	3400117	4	PIN-CLEVIS 3/8 x 1.125 ZP
16	3400125	10	RING-RUE 3/8
17	3400340	1	NUT-NYLOC 3/8-16 SS
18	3402010	1	SCR-HEX 3/8-16 X 1.25 SS



Rev A

BILL OF MATERIAL - 245601			
ITEM	PART NO.	QTY	DESCRIPTION
1	712	1	LOCTITE-243 50ML BLUE
2	210118	2	KNOB-3 SIDED 5/16 NYLOC
3	245384	1	WELDMENT, SQUEEGEE 26"
4	245392-1	1	SQUEEGEE BLADE, 26 INNER, PRIMOTHANE
5	245393-1	1	SQUEEGEE BLADE, 26 OUTER, PRIMOTHANE
6	245394	1	WELDMENT, OUTER BAND SHORT 26
7	245397	1	WELDMENT, OUTER BAND LG 26
8	245399	1	WELDMENT, INNER BAND A 26
9	245402	1	WELDMENT, INNER BAND B 26
10	245405	1	ROLLER, .516 ID, 1.00 OD X .95
11	600114	2	SPACER, .328 B .498 OD .500 ,SS
12	717037	1	SCR-HH M8-1.25 X 40 SS
13	730609	1	WASHER-FLAT M8 SS
14	730652	1	LATCH, UNDER CENTER
15	730780	1	LATCH, BODY SS
16	730781	1	CLEVIS, M5 - 0.8
17	730782	1	ROD, M5 - 0.8
18	730783	1	ROD, NOSE
19	730784	2	SPACER, .203 B .375 OD .210 T
20	730802	2	SCR-HH M5-0.8 X 35 SS FULL THREAD
21	731293	2	RIVET-BLIND 5/32 .187 GRIP SS
22	12022430	1	NUT-HEX M5 X 0.8 316SS DIN 934
23	12040259	1	NUT-NYLOC M8 X 1.25 SS
24	12040283	2	NUT-NYLOC M5 X 0.8 304SS DIN985



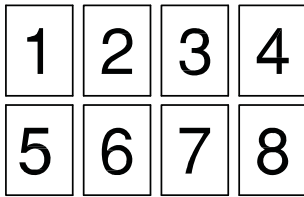
Rev A

BILL OF MATERIAL - 245602			
ITEM	PART NO.	QTY	DESCRIPTION
1	245301	1	WELDMENT, SLIDER
2	245309	1	SPACER, NYLON, .344 B .500 OD .813 T
3	245310	2	WASHER, NYLON, .510 B 1.00 OD .062 T
4	245377	1	LINK, SQUEEGEE PIVOT 26"
5	245382	1	WELDMENT, SQUEEGEE MOUNT 26"
6	245412	1	BAR, SQUEEGEE PIVOT
7	245498	1	CABLE-SQUEEGEE 26"
8	245516	2	SLIDE
9	245563	2	CASTER
10	600576	1	RET RING-EXT 1.25 HD
11	711391	6	NUT-JAM 3/8-16 ZP
12	711515	2	WASHER-FLAT 3/8 X .812 X .0625 ZP
13	711688	1	NUT-JAM 1/4-20 NYLOC SS
14	711855	2	WASHER-FENDER 3/8 X 1.12 X .10 ZP HARD
15	712165	2	BLT-SHLDR 3/8 X.50 LX5/16-18 GR18-8 SS
16	712683	2	NUT-NYLOC 5/16-18 SS
17	730526	3	WASHER-FENDER M8 X 24 SS
18	730844	2	RET RING-EXT .375 SS SELF LOCKING
19	740827-1	1	ACTUATOR - 40MM STROKE- 750 N FORCE TERM
20	881002	6	PIN-CLEVIS 5/16 X 1.00 ZINC
21	3300368	2	PULLEY-PLASTIC 2" x .25" GROOVE
22	3335273	1	SPACER-.32 OD X .499 OD X .31 LG
23	3337628	2	WASHER FLAT 1.28 ID x 2.00 OD ZP
24	3400117	2	PIN-CLEVIS 3/8 x 1.125 ZP
25	3400125	9	RING-RUE 3/8
26	3400762	1	PIN-CLEVIS 3/8 X 4.75 ZP
27	3401572	2	SCR-BHSCS 3/8-16 X 1.75 ZP
28	12040259	1	NUT-NYLOC M8 X 1.25 SS

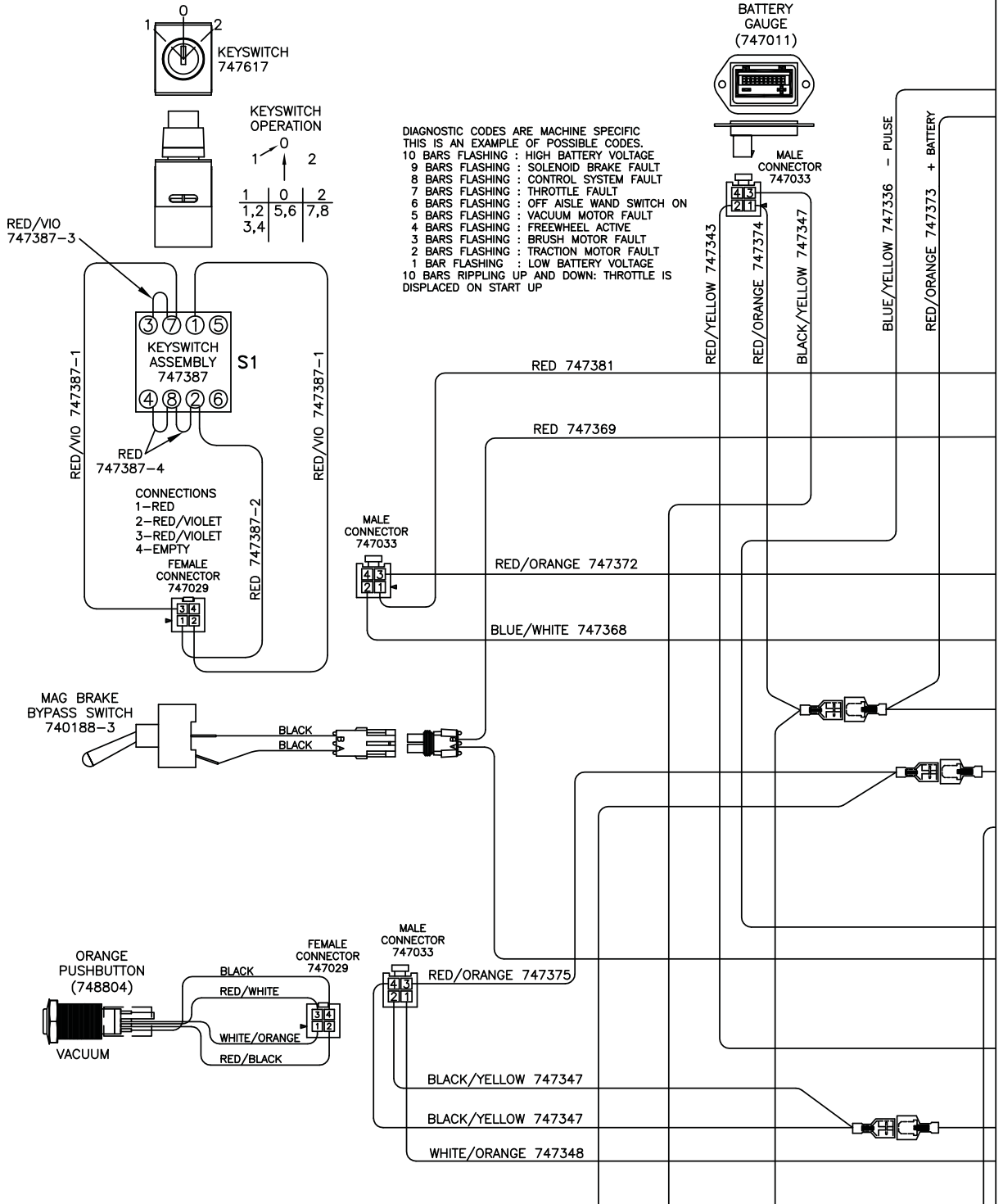
# Wiring Diagrams - ECO Models

1

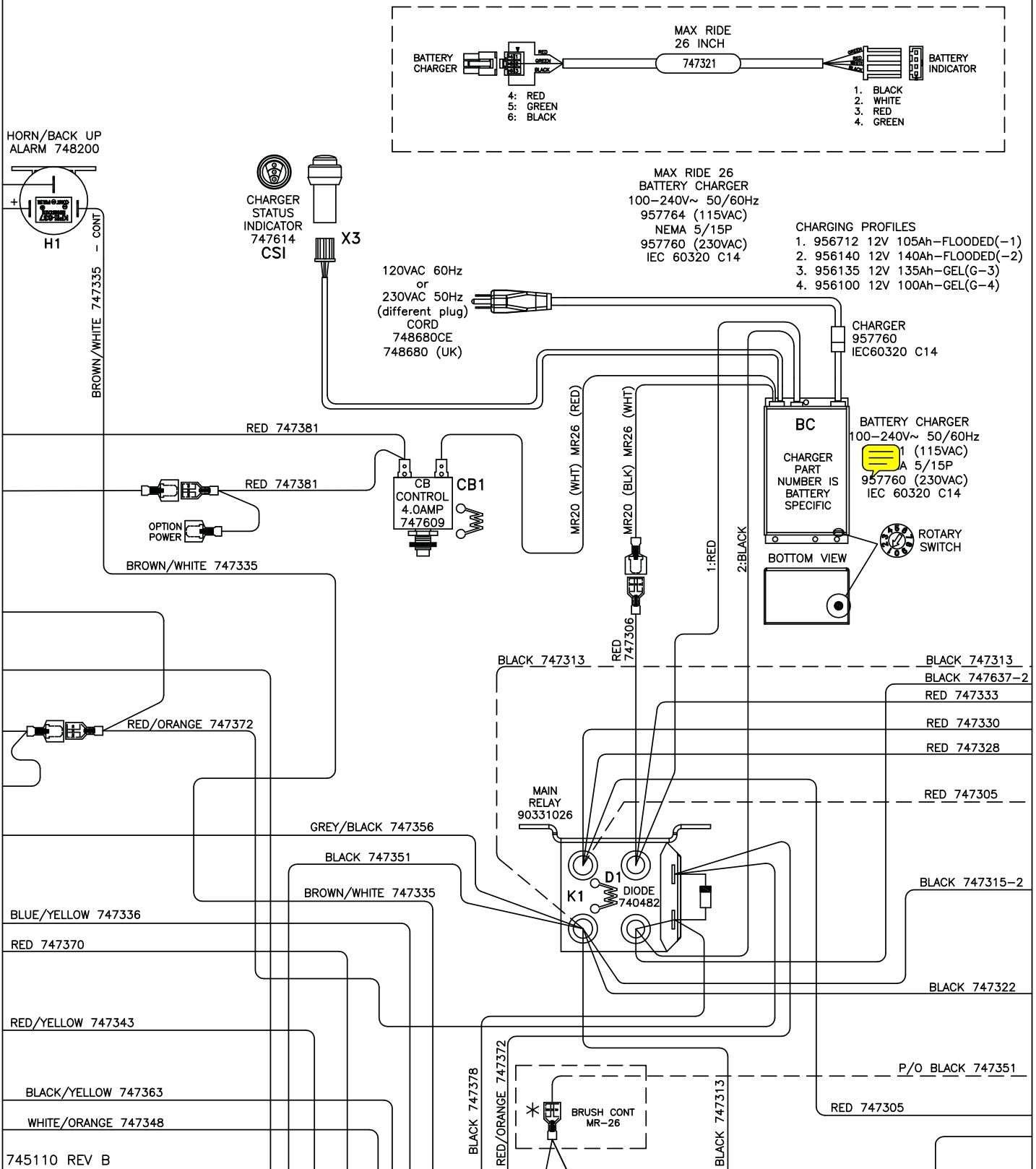
PAGE LAYOUT



PAGES GO TOGETHER AS SHOWN TO SEE THE ENTIRE SCHEMATIC AS ONE.



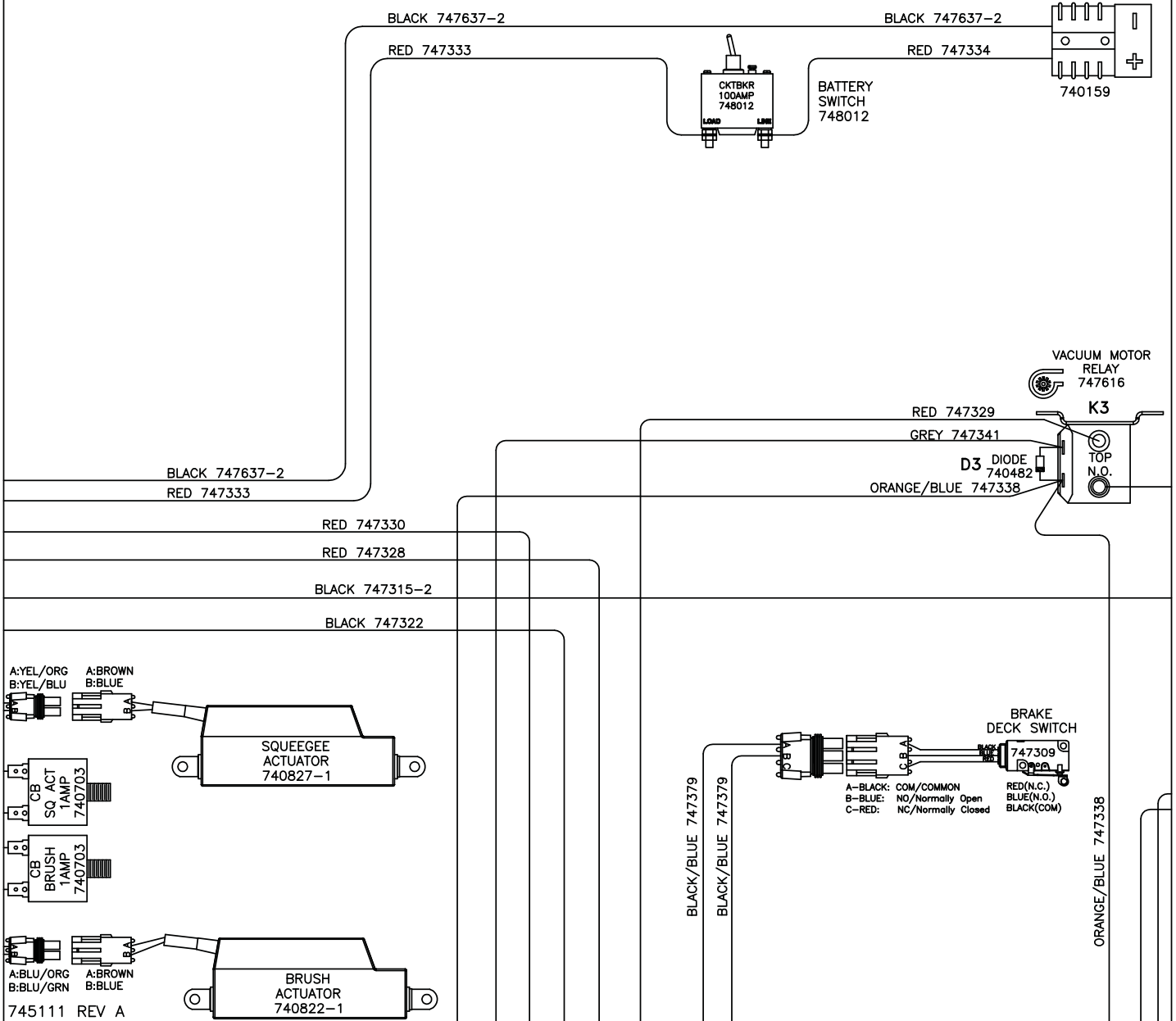


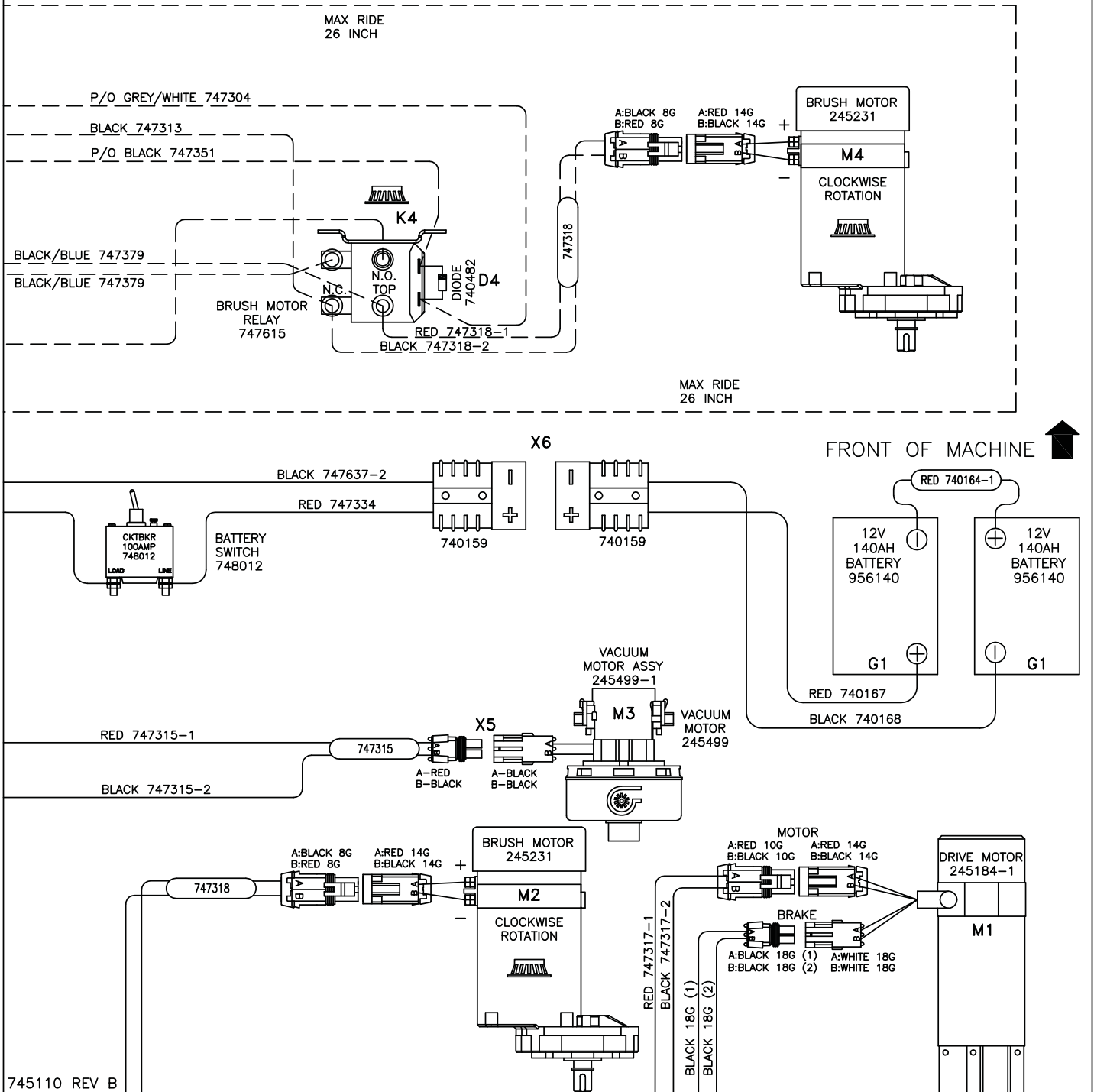




RELAY NUT COVER  
 MAIN RELAY M8 15592033 (4)  
 VACUUM RELY M6 15592025 (2)  
 BRUSH MOTOR RELAY M6 15592025 (4)

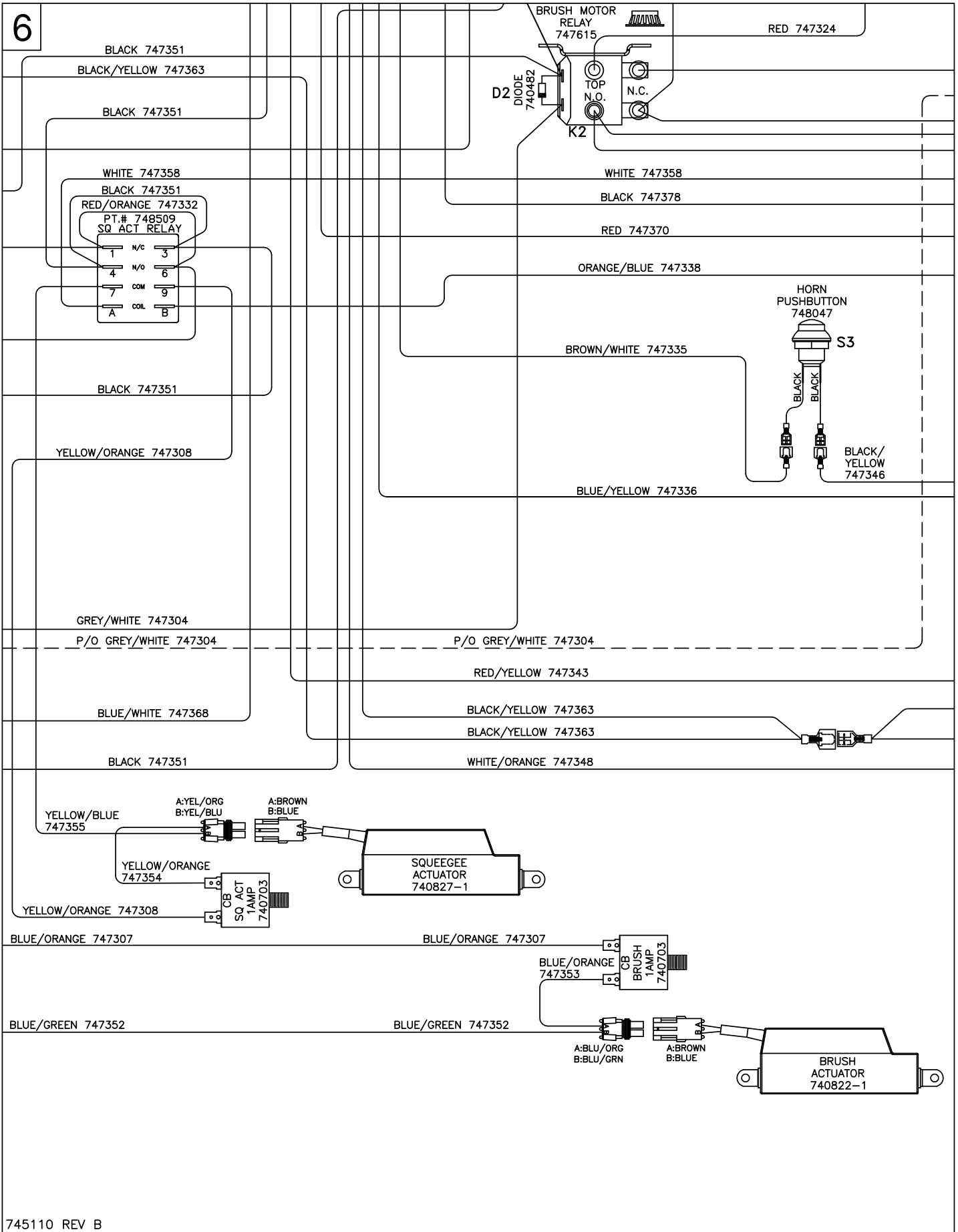
\*RELAY TERMINALS ARE METRIC  
 MAIN RELAY: M8 TORQUE TO 8-9.5Nm  
 VACUUM & BRUSH RELAY: M6 TORQUE TO 3.6-3.9Nm



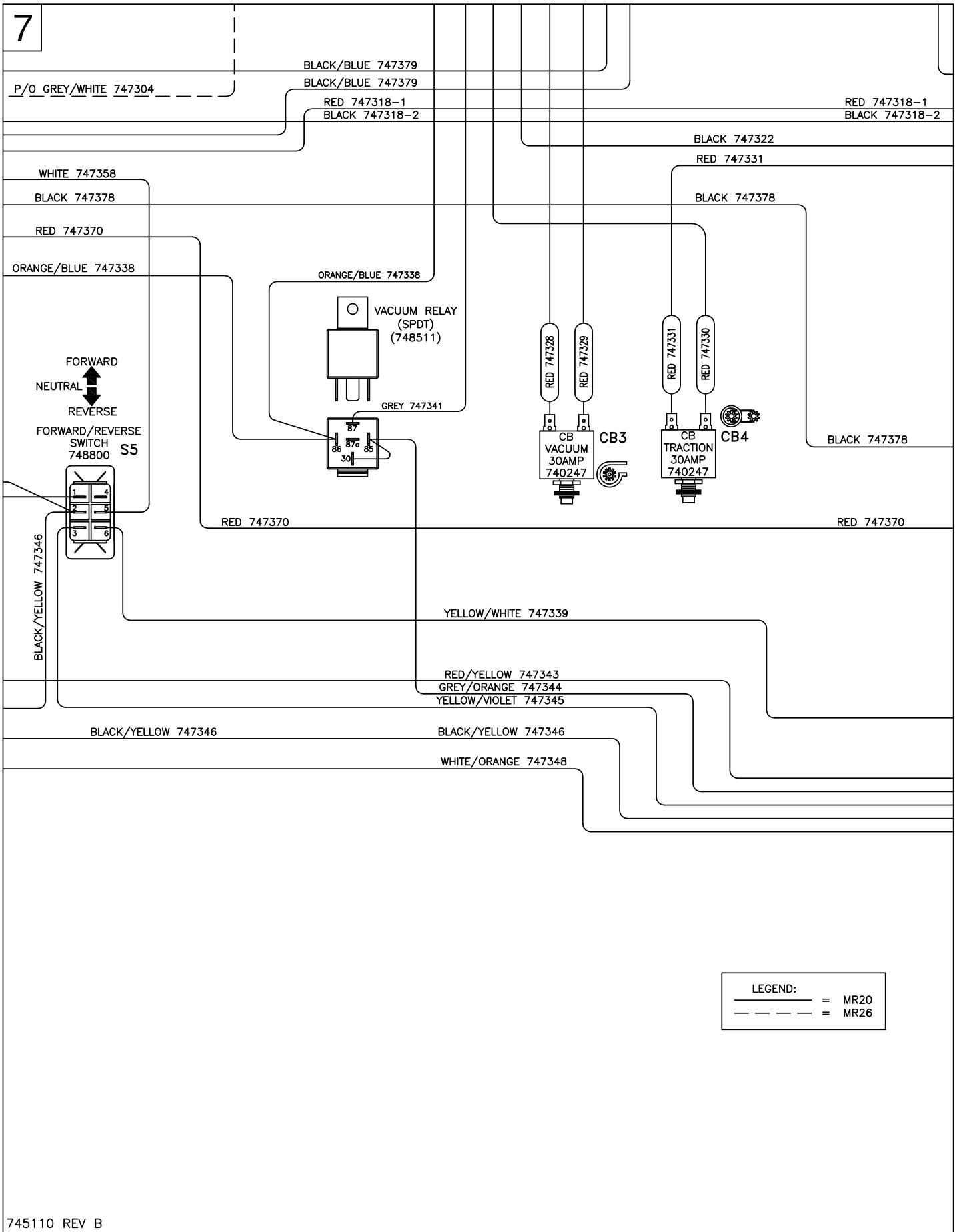


745110 REV B

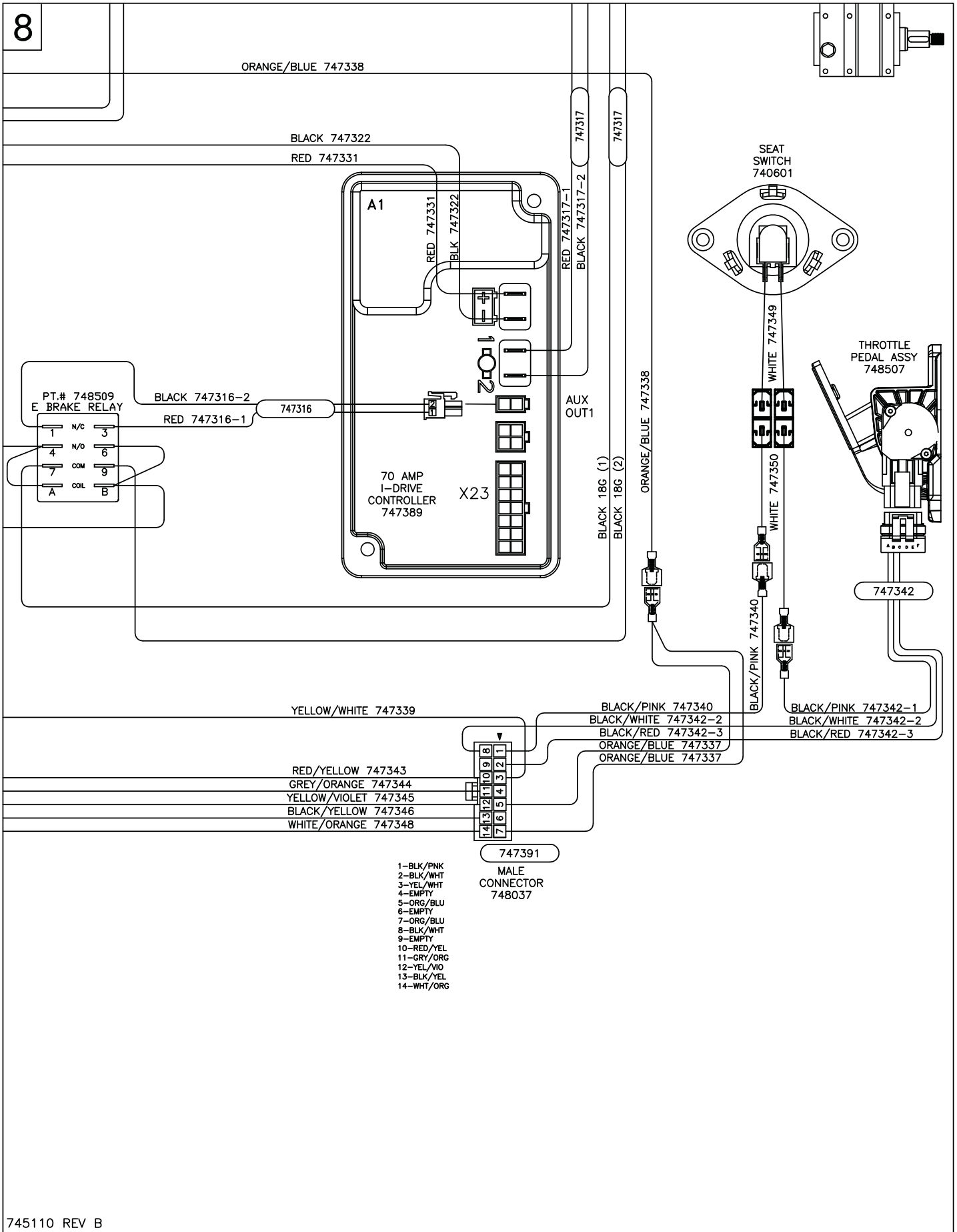




7



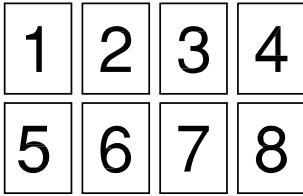
8



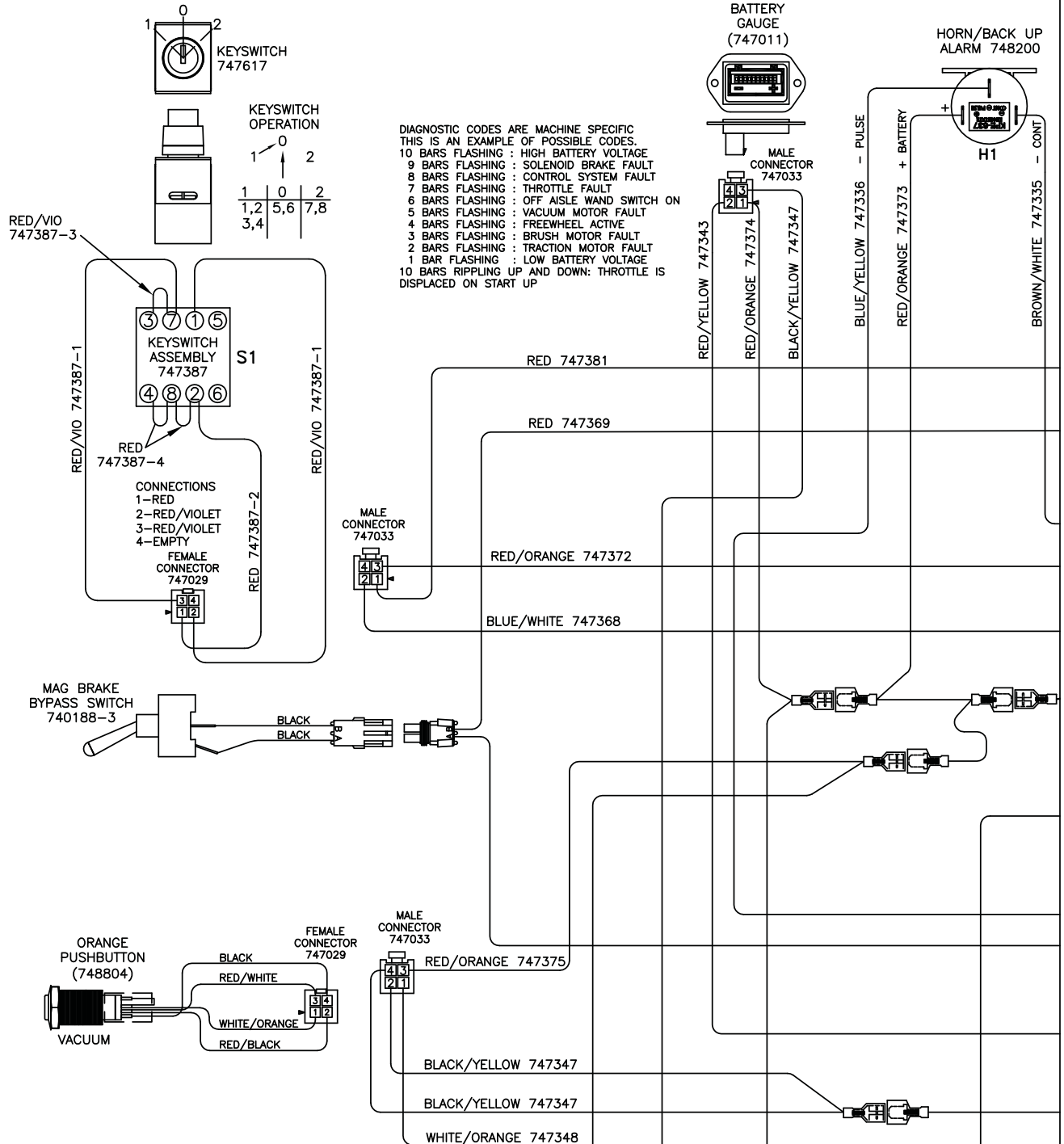
# Wiring Diagrams - Sport Models

1

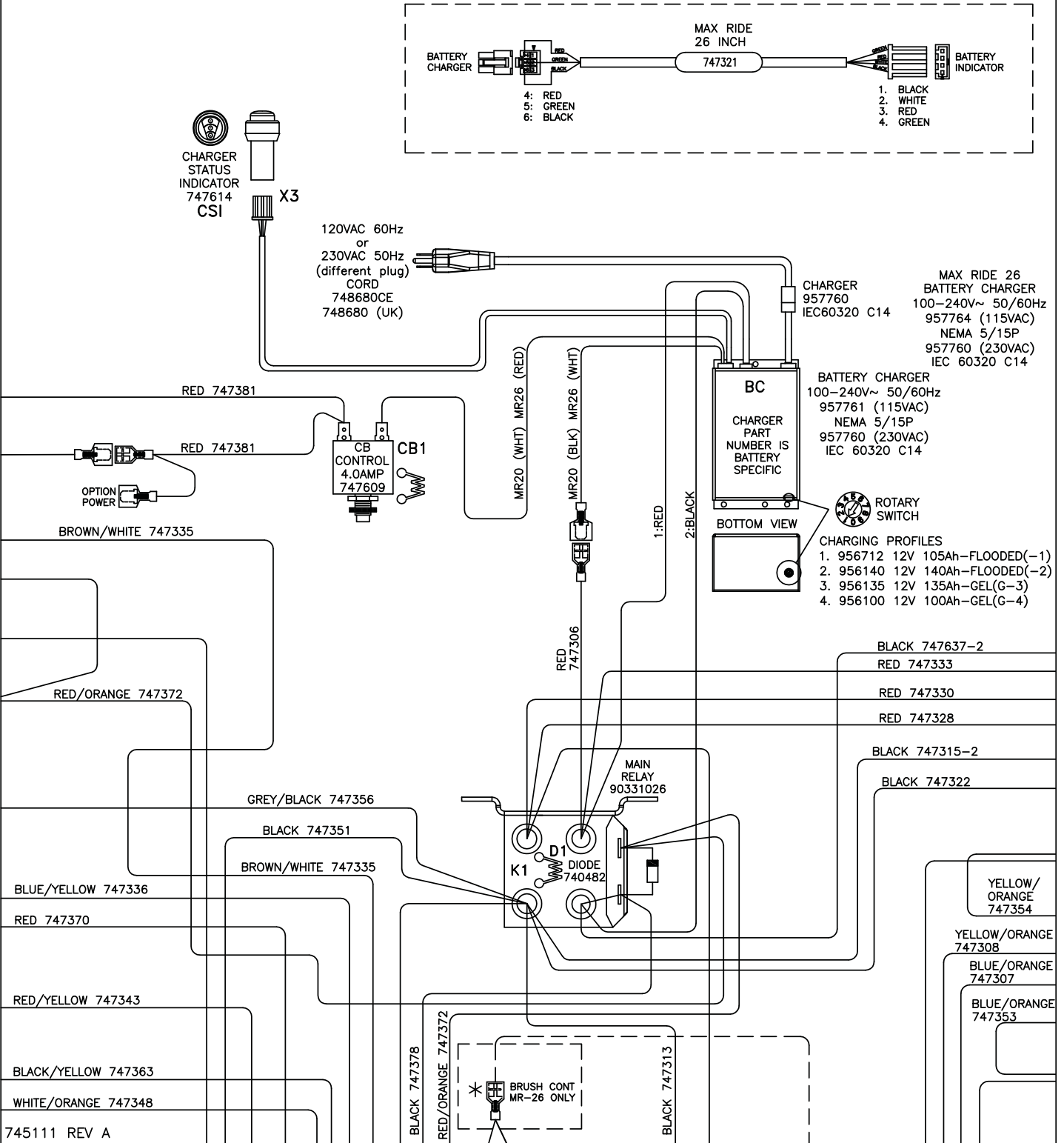
PAGE LAYOUT



PAGES GO TOGETHER AS SHOWN TO SEE THE ENTIRE SCHEMATIC AS ONE.



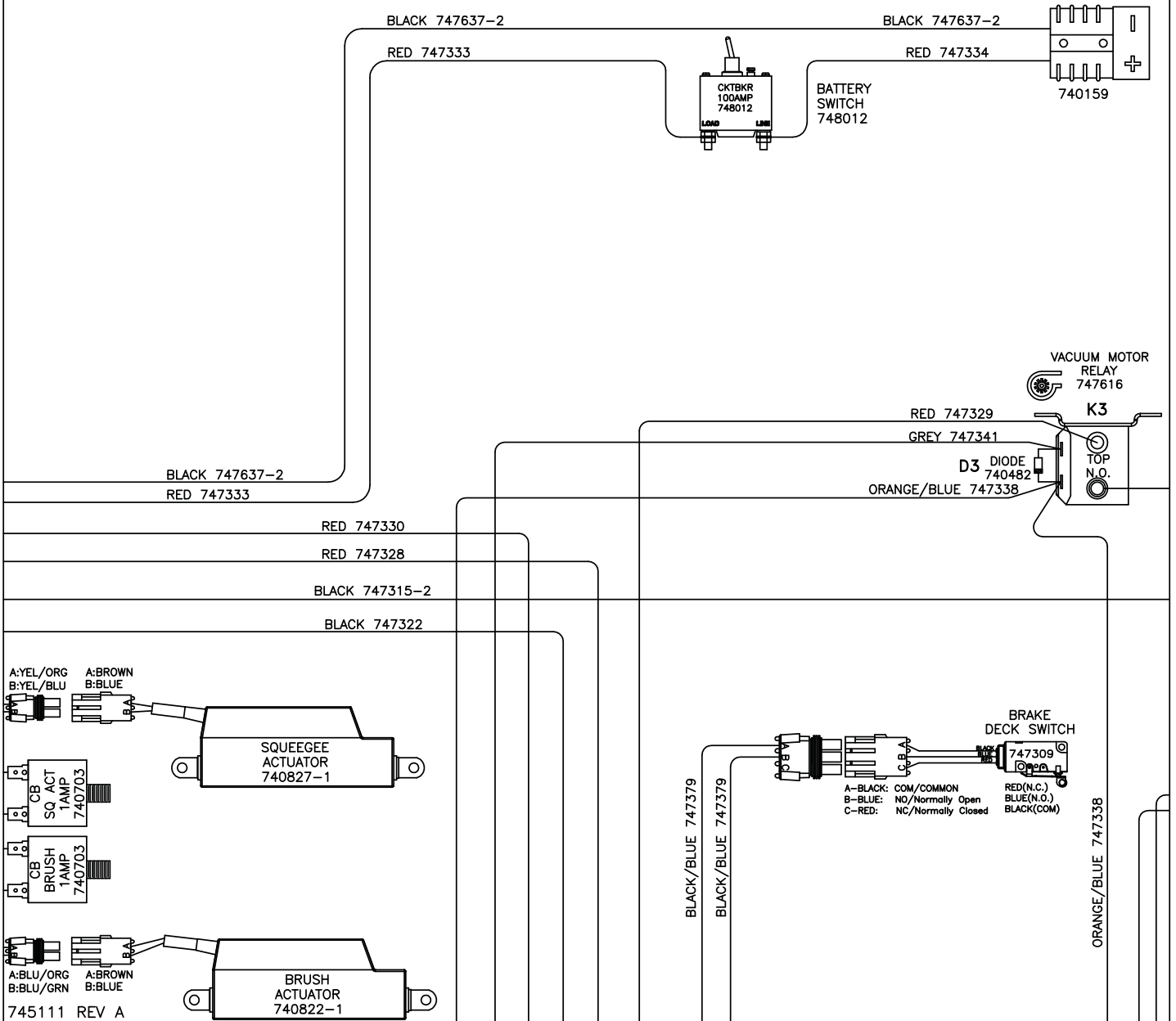


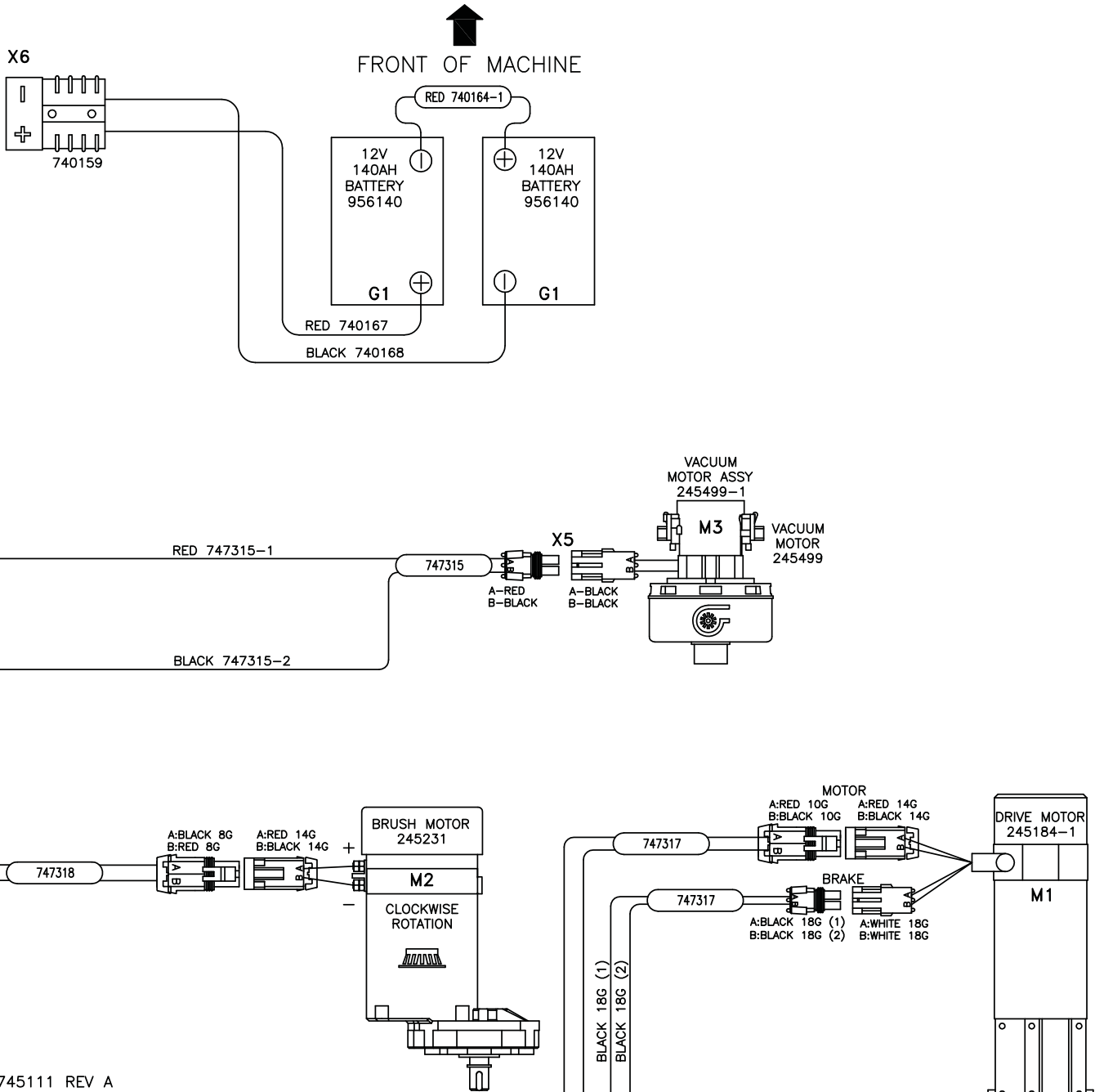




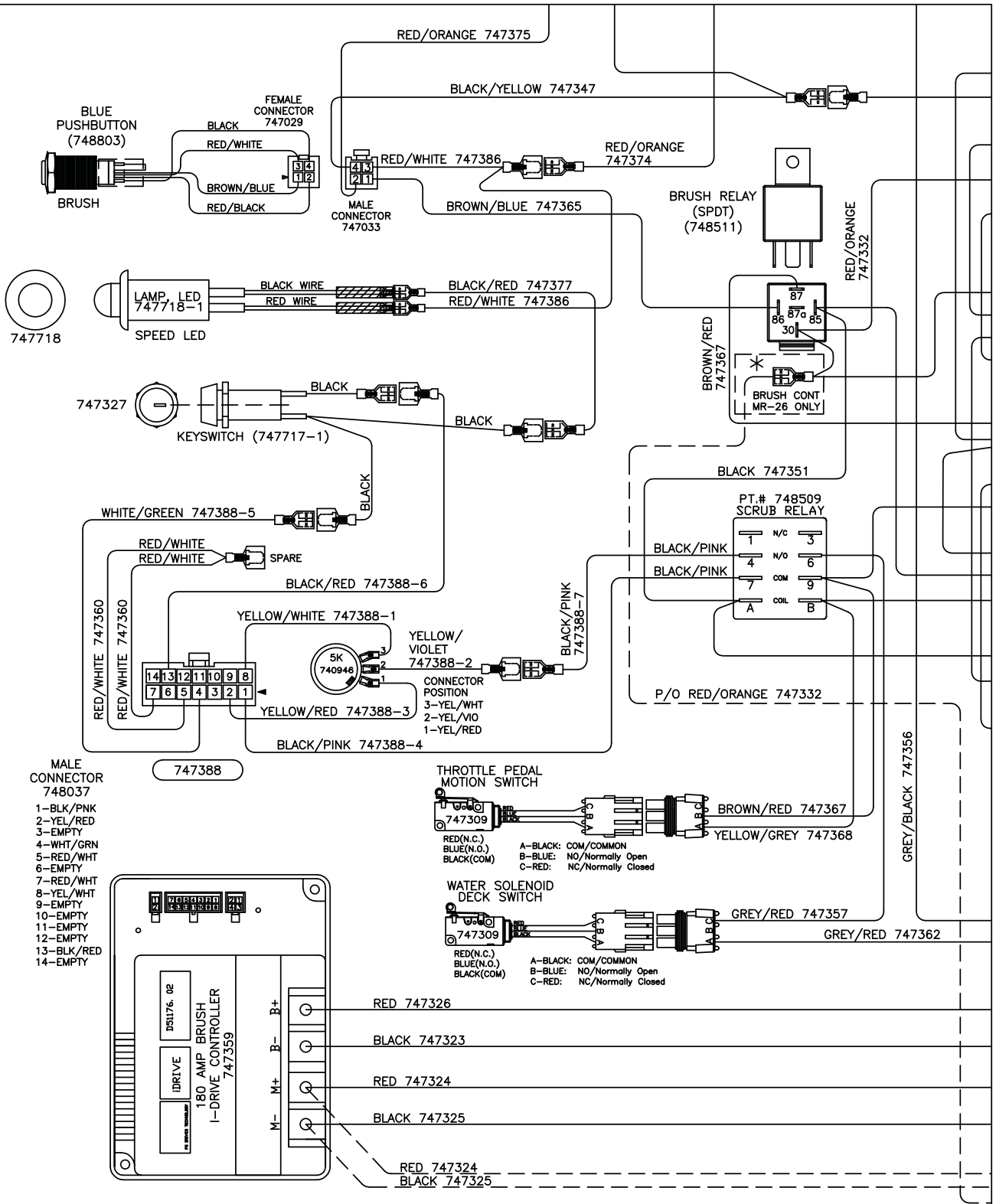
RELAY NUT COVER  
 MAIN RELAY M8 15592033 (4)  
 VACUUM RELY M6 15592025 (2)  
 BRUSH MOTOR RELAY M6 15592025 (4)

\*RELAY TERMINALS ARE METRIC  
 MAIN RELAY: M8 TORQUE TO 8-9.5Nm  
 VACUUM & BRUSH RELAY:M6 TORQUE TO 3.6-3.9Nm

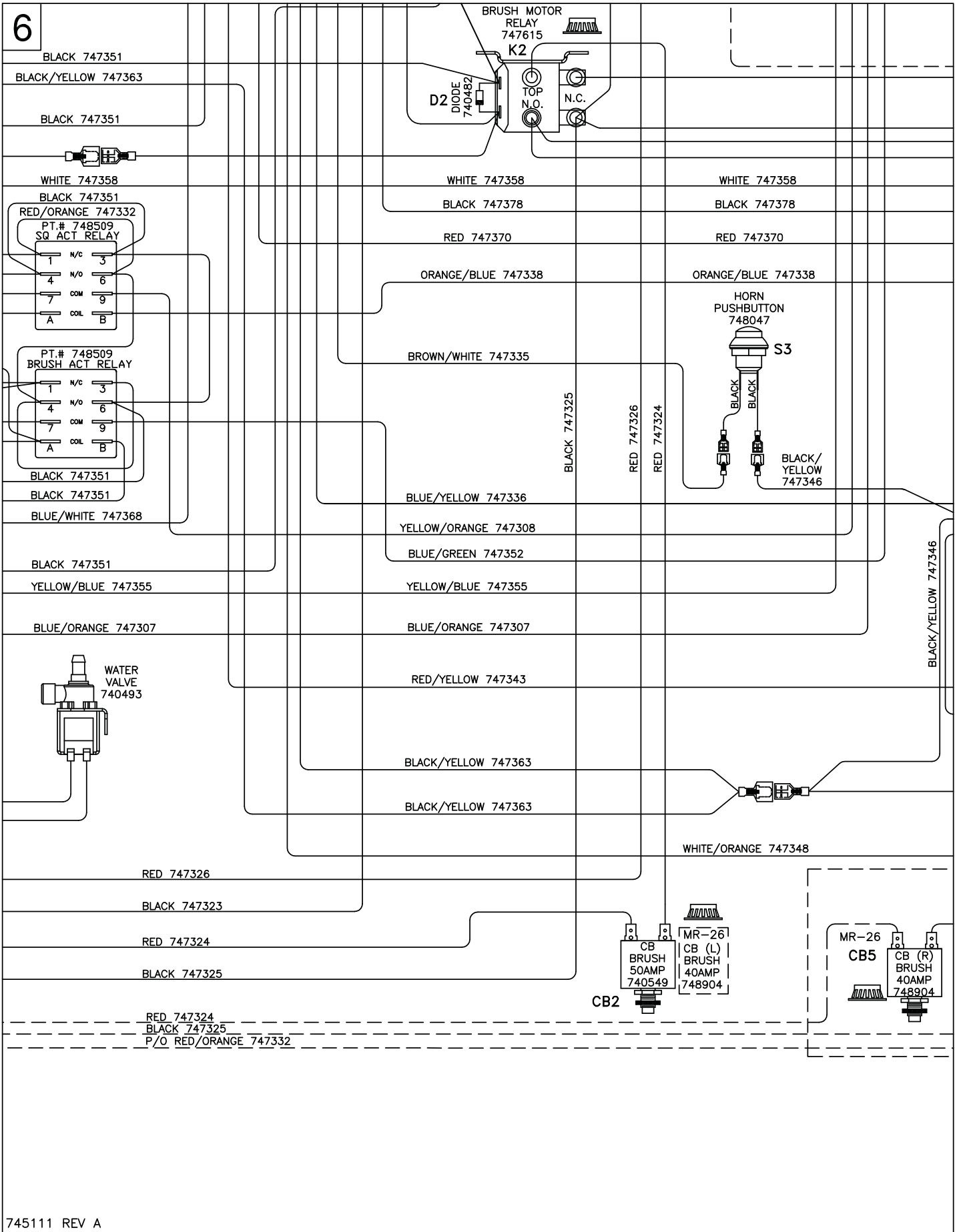




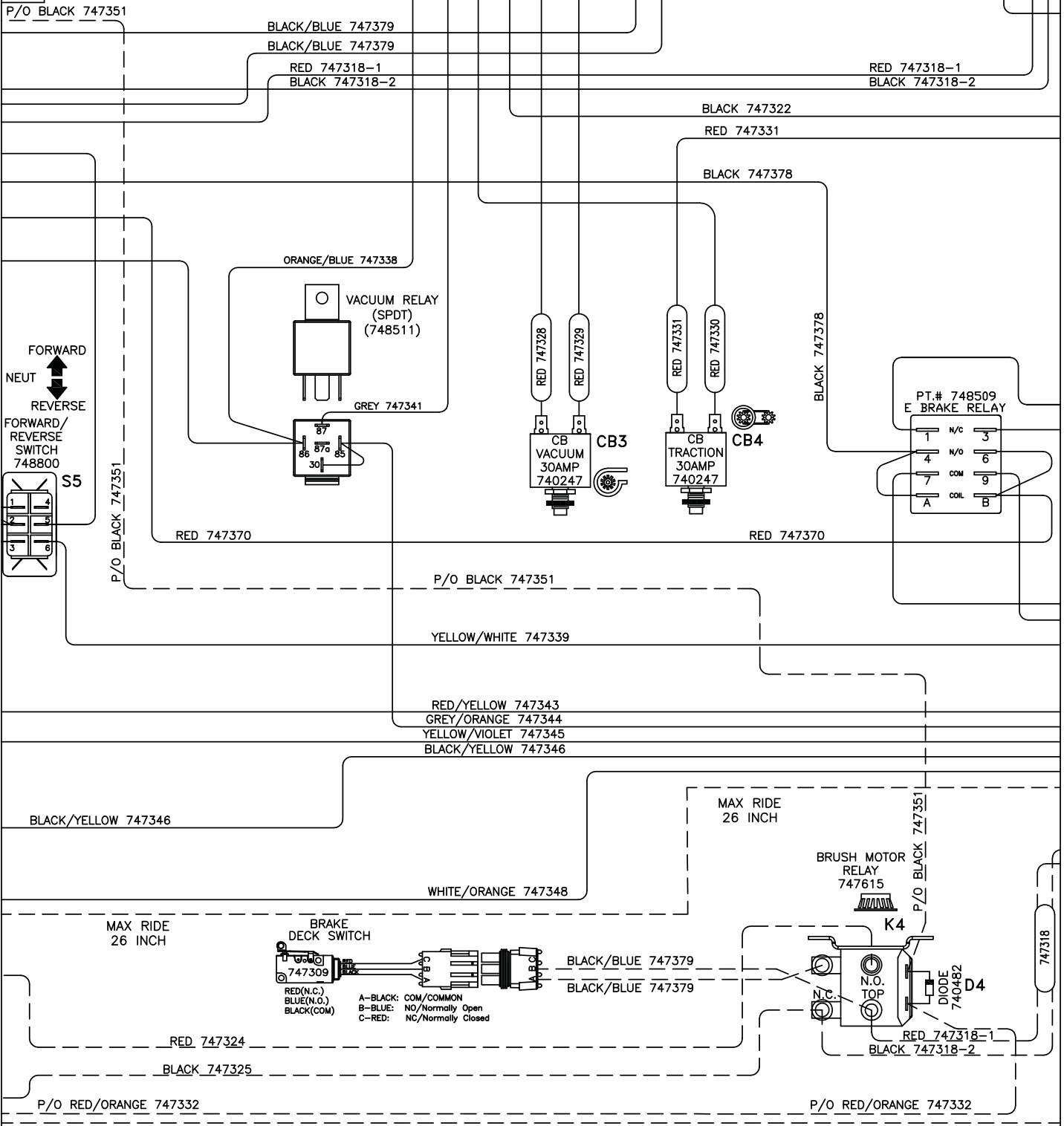
745111 REV A



6



7



8

ORANGE/BLUE 747338

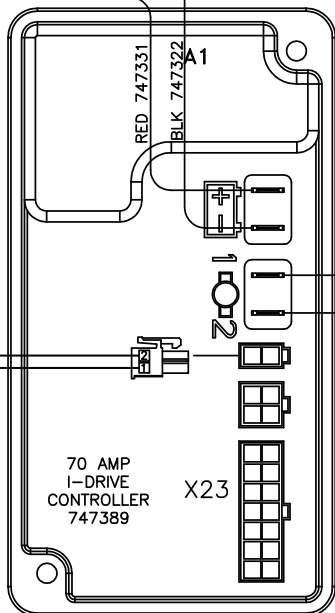
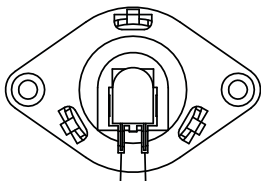
BLACK 747322

RED 747331

RED 747317-1

BLACK 747317-2

SEAT SWITCH  
740601



BLACK 747316-2

RED 747316-1

747316

AUX OUT1

70 AMP  
I-DRIVE  
CONTROLLER  
747389

X23

BLACK 18G (1)

BLACK 18G (2)

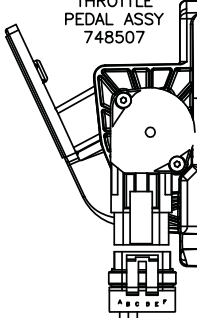
ORANGE/BLUE 747338

WHITE 747349

WHITE 747350

BLACK/PINK 747340

THROTTLE  
PEDAL ASSY  
748507



747342

YELLOW/WHITE 747339

BLACK/PINK 747340

BLACK/WHITE 747342-2

BLACK/RED 747342-3

ORANGE/BLUE 747337

ORANGE/BLUE 747337

BLACK/PINK 747342-1

BLACK/WHITE 747342-2

BLACK/WHITE 747342-2

BLACK/RED 747342-3

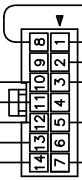
RED/YELLOW 747343

GREY/ORANGE 747344

YELLOW/VIOLET 747345

BLACK/YELLOW 747346

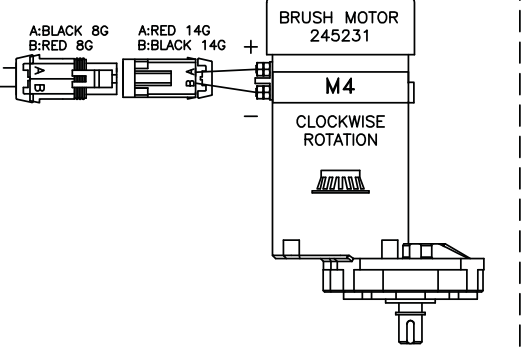
WHITE/ORANGE 747348



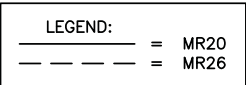
747391

MALE  
CONNECTOR  
748037

- 1-BLK/PNK
- 2-BLK/WHT
- 3-YEL/WHT
- 4-EMPTY
- 5-ORG/BLU
- 6-EMPTY
- 7-ORG/BLU
- 8-BLK/WHT
- 9-EMPTY
- 10-RED/YEL
- 11-GRY/ORG
- 12-YEL/WID
- 13-BLK/YEL
- 14-WHT/ORG



MAX RIDE  
26 INCH



## Minuteman International Made Simple Commercial Limited Warranty

### REVISION O EFFECTIVE 4/1/2016

Minuteman International, Inc. warrants to the original purchaser/user that the product is free from defects in workmanship and materials under normal use. Minuteman will, at its option, repair or replace without charge, parts that fail under normal use and service when operated and maintained in accordance with the applicable operation and instruction manuals. All warranty claims must be submitted through and approved by factory authorized repair stations.

This warranty does not apply to normal wear, or to items whose life is dependent on their use and care, such as belts, cords, switches, hoses, rubber parts, electrical motor components or adjustments. Parts manufactured by Minuteman are covered by and subject to the warranties and/or guarantees of their manufacturers. Please contact Minuteman for procedures in warranty claims against these manufacturers.

**Special warning to purchaser** -- Use of replacement filters and/or pre-filters not manufactured by Minuteman or its designated licensees, will void all warranties expressed or implied. A potential health hazard exists without original equipment replacement.

All warranted items become the sole property of Minuteman or its original manufacturer, whichever the case may be.

Minuteman disclaims any implied warranty, including the warranty of merchantability and the warranty of fitness for a particular purpose. Minuteman assumes no responsibility for any special, incidental or consequential damages.

This limited warranty is applicable only in the U.S.A. and Canada, and is extended only to the original user/purchaser of this product. Customers outside the U.S.A. and Canada should contact their local distributor for export warranty policies. Minuteman is not responsible for costs or repairs performed by persons other than those specifically authorized by Minuteman. This warranty does not apply to damage from transportation, alterations by unauthorized persons, misuse or abuse of the equipment, use of non-compatible chemicals, or damage to property, or loss of income due to malfunctions of the product.

If a difficulty develops with this machine, you should contact the dealer from whom it was purchased.

This warranty gives you specific legal rights, and you may have other rights which vary from state to state. Some states do not allow the exclusion or limitation of special, incidental or consequential damages, or limitations on how long an implied warranty lasts, so the above exclusions and limitations may not apply to you.



Model	Parts	Labor	Poly	Travel**
Cord Electric Group	5yrs	3yrs	12yrs	90 days
Battery Operated Group	5yrs	3yrs	12yrs	90 days

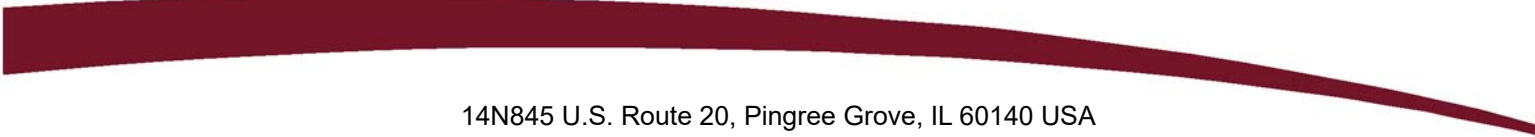
**Exceptions.....**

Model	Parts	Labor	Poly	Travel**
Port A Scrub, all models	1yr	6months	12yrs	90 days
A3S Blower	1yr	1yr	0	0
Phenom Dual Motor Upright Vacuums	2yrs	2yrs	0	0
Explosion Proof Vacuum	1yr	1yr	0	0
Propane Burnisher	1yr	1yr	0	90 days
**Travel, 2 hours max				

<i>Stand-alone Battery Chargers:</i>	One year
<i>Replacement Parts:</i>	Ninety days
<i>Batteries:</i>	0-3 months full replacement, 4-12 months pro-rate
<i>Polypropylene Plastic Tanks:</i>	12yr warranty, no additional labor

# ***“Excellence Meets Clean”***

**Minuteman is a Full Line Manufacturer of Sweepers and Scrubbers,  
for Industrial Facilities.**



14N845 U.S. Route 20, Pingree Grove, IL 60140 USA  
Phone (800) 323-9420 - [www.minutemanintl.com](http://www.minutemanintl.com)  
*A Member of the Hako Group*